

Italiano   
English 



COMPRESSORE AD ALTA PRESSIONE PER GAS METANO CNG-NGV  
HIGH PRESSURE COMPRESSOR FOR NATURAL GAS CNG-NGV



CATALOGO RICAMBI  
SPARE PARTS LIST

# MCH-10-14 EVO CNG

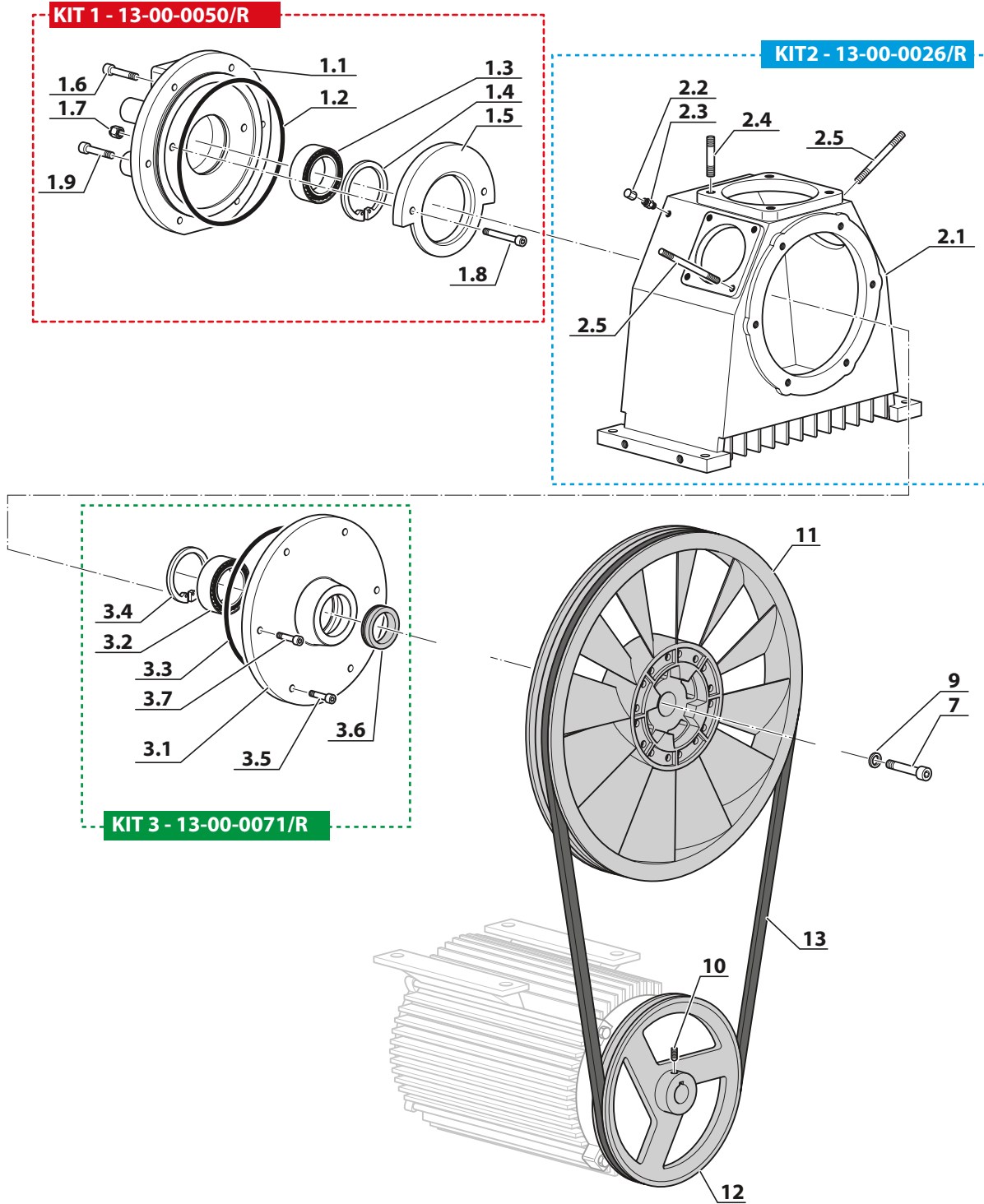


<b>TAVOLE</b>	<b>TABLES</b>	<b>Pag.</b>
<b>Monoblocco</b>	<b>Crankcase Assembly</b>	<b>4</b>
<b>Collo d'oca</b>	<b>Crankshaft</b>	<b>6</b>
<b>Livello olio - Staffe di fissaggio</b>	<b>Oil level - Brackets fixing</b>	<b>8</b>
<b>1° Stadio</b>	<b>1<sup>st</sup> Stage</b>	<b>10</b>
<b>2° Stadio</b>	<b>2<sup>nd</sup> Stage</b>	<b>12</b>
<b>3° Stadio</b>	<b>3<sup>rd</sup> Stage</b>	<b>14</b>
<b>Circuito di pressione</b>	<b>Pressure circuit</b>	<b>16</b>
<b>Circuito di sicurezza</b>	<b>Safety circuit</b>	<b>18</b>
<b>Telaio</b>	<b>Frame</b>	<b>20</b>
<b>Targhette di sicurezza</b>	<b>Safety info label</b>	<b>22</b>
<b>Olio di lubrificazione</b>	<b>Lubrication oil</b>	<b>22</b>

**MONOBLOCCO - CRANKCASE ASSEMBLY**

Rif. Pos.	Q.tà Q.ty	Codice Code	Descrizione	Description
<b>KIT1</b>	<b>1</b>	<b>13-00-0050/R</b>	<b>KIT FLANGIA LATO FILTRI MCH13/16</b>	<b>FILTER SIDE FLANGE MCH13/16 KIT</b>
1.1	1	13-00-0050	FLANGIA LATO FILTRI MCH13/16	FILTER SIDE FLANGE MCH13/16
1.2	1	13-00-0062	O-RING 2562 NBR 70 FLANGIA	FLANGE O-RING 2562
1.3	1	13-00-0042	CUSCINETTO RULLI FLANGIA NU305	FLANGE ROLLER BEARING NU305
1.4	1	13-00-0055	ANELLO ELASTICO SEEGER J 62 DIN 472	SEEGER RETAINING RING J 62
1.5	1	13-01-0042/N	FLANGIA MEZZALUNA DIAM. 140X80 SP. 10/10	HALF MOON FLANGE 140X80 SP. 10/10 MCH13/16
1.6	6	13-00-0048	VITE 8X25 T.C.E. ZINC. DIN 912	SCREW 8X25 T.C.E. ZINC. DIN 912
1.7	2	13-00-0137	DADO ZINCATO AUTOBLOC. M6 ALTO	SELF LOCKING NUT M6 HIGH
1.8	2	13-00-0067	VITE 6X35 T.C.E. ZINC. DIN 912	SCREW 6X35 T.C.E. ZINC. DIN 912
<b>KIT2</b>	<b>1</b>	<b>13-00-0001/R</b>	<b>KIT MONOBLOCCO MCH13-16</b>	<b>CRANKCASE MCH13-16</b>
2.1	1	13-00-0001	MONOBLOCCO MCH13-16	CRANKCASE MCH13-16
2.2	1	6-00-029	TAPPO SFIATO OLIO MCH6 1/8 NPT 7/16	OIL PURGE CAP MCH6 1/8 NPT 7/16
2.3	1	13-00-0174	RACC. 1/8 NPT 7/16 TUBO 6 MM	STRAIGHT 1/8 PIPE FITTING 6
2.4	4	13-01-0008	TIRANTE PRIMO STADIO MCH13/16	FIRST STAGE TIE ROD MCH13/16
2.5	8	13-02-0040	TIRANTE SECONDO/TERZO STADIO MCH13/16	2ND/3RD STAGE TIE ROD
<b>KIT3</b>	<b>1</b>	<b>13-00-0071/R</b>	<b>KIT FLANGIA LATO VENTOLA MCH 13/16</b>	<b>FAN SIDE FLANGE MCH13-16 KIT</b>
3.1	1	13-00-0071	FLANGIA LATO VENTOLA MCH 13/16	FAN SIDE FLANGE MCH13-16
3.2	1	13-00-0070/N	CUSCINETTO A RULLI NUP 206 C3	ROLLER BEARING NUP 206 C3
3.3	1	13-00-0062	O-RING 2562 NBR 70 FLANGIA	FLANGE O-RING 2562
3.4	1	13-00-0055	ANELLO ELASTICO SEEGER J 62 DIN 472	SEEGER RETAINING RING J 62
3.5	4	13-00-0048	VITE 8X25 T.C.E. ZINC. DIN 912	SCREW 8X25 T.C.E. ZINC. DIN 912
3.6	1	13-00-0073	PARAOLIO 30X48X8	OIL SPLASH GUARD 30-48-8
3.7	2	13-00-0075	VITE T.C.E. ZINCATA 8X30	SCREW T.C.E. ZINCATA 8X30
4	1	13-00-0074	MOZZO PORTAVENTOLA MCH13/16	FAN-HOLDING HUB MCH13/16
5	4	13-00-0079	RONDELLA PIANA M12 ZINC. (12,5X24X2,5)	WASHER M12
6	1	13-00-0082	FLANGIA VENTOLA MCH13/16	COOLING FAN FLANGE MCH13/16
7	1	VITE1045Z	VITE T.C.E. ZINC. 10X45	SCREW 10X45 T.C.E. ZINC.
8	4	13-00-0080	VITE 12X35 T.C.E. ZINC. DIN912	SCREW 12X35 T.C.E. ZINC. DIN912
9	1	RON10ZG	RONDELLA PIANA M10 ZINCATA	WASHER M10
10	1	GRANI8X20	GRANO M8x20	DOWEL M8x20
11	1	13-00-0077	VENTOLA DI RAFFREDDAMENTO MCH13/16	COOLING FAN WHEEL MCH13-16
12	1	SC000406	PULEGGIA ALLUMINIO Ø220	ALUMINUM PULLEY Ø220
13	1	CINGA71	CINGHIA A71	TRANSMISSION BELT A71

**MONOBLOCCO - CRANKCASE ASSEMBLY**

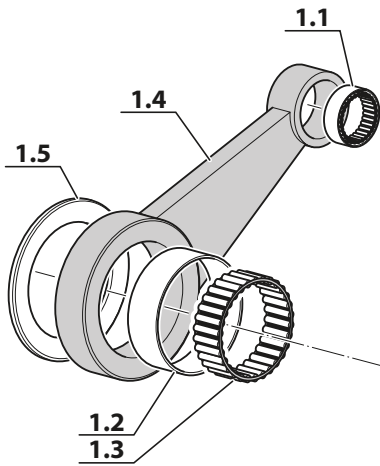


## COLLO D'OCA - CRANKSHAFT

Rif. Pos.	Q.tà Q.ty	Codice Code	Descrizione	Description
<b>KIT1</b>	<b>1</b>	<b>13-01-0107/R</b>	<b>KIT BIELLA PRIMO/TERZO STADIO MCH13/16</b>	<b>1ST/3RD STAGE CON-ROD ASS.BLY KIT</b>
1.1	1		GABBIA A RULLI HK2020 AS1	BEARING ROLLER
1.2	1		ANELLO TEMPRATO IR 42X47X15,1 INTERNO BIELLA	HARDENED RING IR 42X47X15,1
1.3	1		GABBIA A RULLI 35X42X16-AH	BEARING ROLLER
1.4	1	13-01-0107	BIELLA PRIMO/TERZO STADIO MCH13/16	1ST/3RD STAGE CON-ROD
1.5	1		RALLA AS 3552	SPACER
<b>KIT2</b>	<b>1</b>	<b>13-00-0105/R</b>	<b>KIT BIELLA SECONDO STADIO MCH13/16</b>	<b>2ND STAGE CON-ROD ASS.BLY MCH13/16 KIT</b>
2.1	1		GABBIA A RULLI HK2020 AS1	BEARING ROLLER
2.2	1		ANELLO TEMPRATO IR 42X47X15,1 INTERNO BIELLA	HARDENED RING IR 42X47X15,1
2.3	1		GABBIA A RULLI 35X42X16-AH	BEARING ROLLER
2.4	1	13-00-0105	BIELLA SECONDO STADIO MCH13/16	2ND STAGE CON-ROD
2.5	1		RALLA AS 3552	SPACER
<b>KIT3</b>	<b>1</b>	<b>13-00-0098/R</b>	<b>KIT COLLO D'OCA MCH13/16</b>	<b>CRANKSHAFT MCH13/16 KIT</b>
3.1	1		VITE T.C.E. ZINCATA 8X65	8X65 TCE SCREW
3.2	1		DADO ZINCATO AUTOBLOC. M8 ALTO	8MM SELF-LOCKING NUT
3.3	1		CONTRAPPESO MCH13	COUNTERWEIGHT
3.4	3		ANELLO TEMPRATO LR 30X35X16,5	HARDENED RING LR 30X35X16,5
3.5	1		COLLO D'OCA MCH13/16	CRANKSHAFT MCH13/16
3.6	1		CHIAVETTA MM.8X7X25	KEY MM.8X7X25
3.7	1		ANELLO ELASTICO SEEGER A30 30X1,5	SEEGER RETAINING RING A30 30X1,5
3.8	1		RONDELLA PIANA M10 ZINCATA	WASHER M10
3.9	1		VITE 10X40 T.C.E. ZINC.	SCREW 10X40 T.C.E. ZINC.

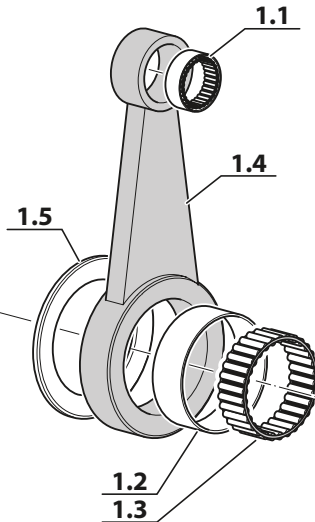
**COLLO D'OCA - CRANKSHAFT**

**KIT 1**  
13-01-0107/R



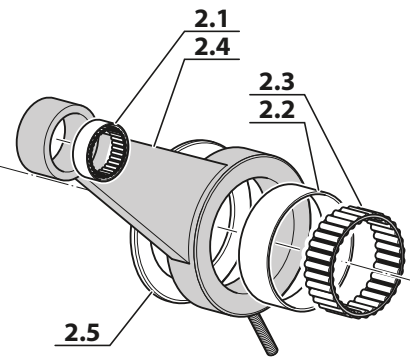
**3rd STAGE**

**KIT 1**  
13-01-0107/R



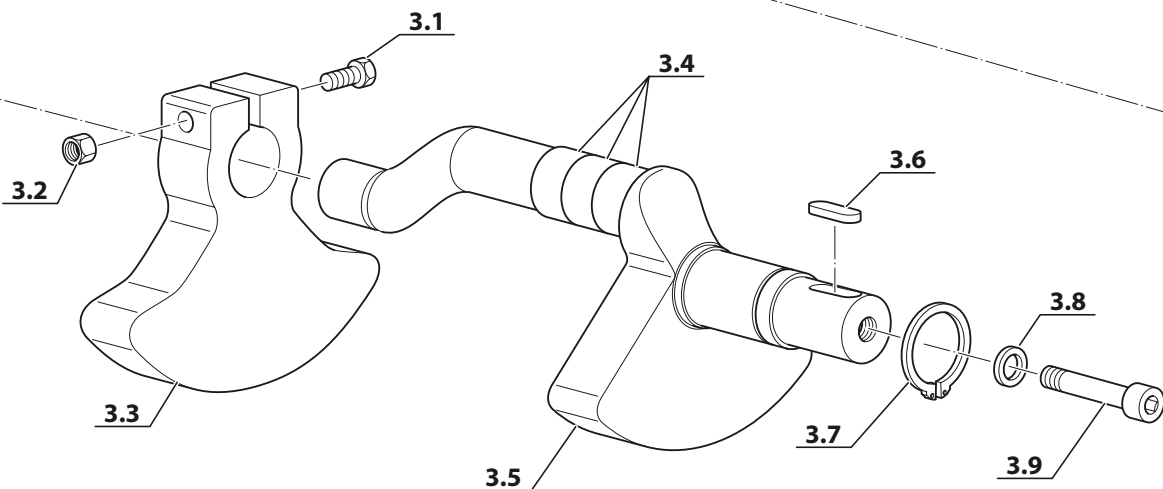
**1st STAGE**

**KIT 2**  
13-00-0105/R



**2nd STAGE**

**KIT 3**  
13-00-0098/R

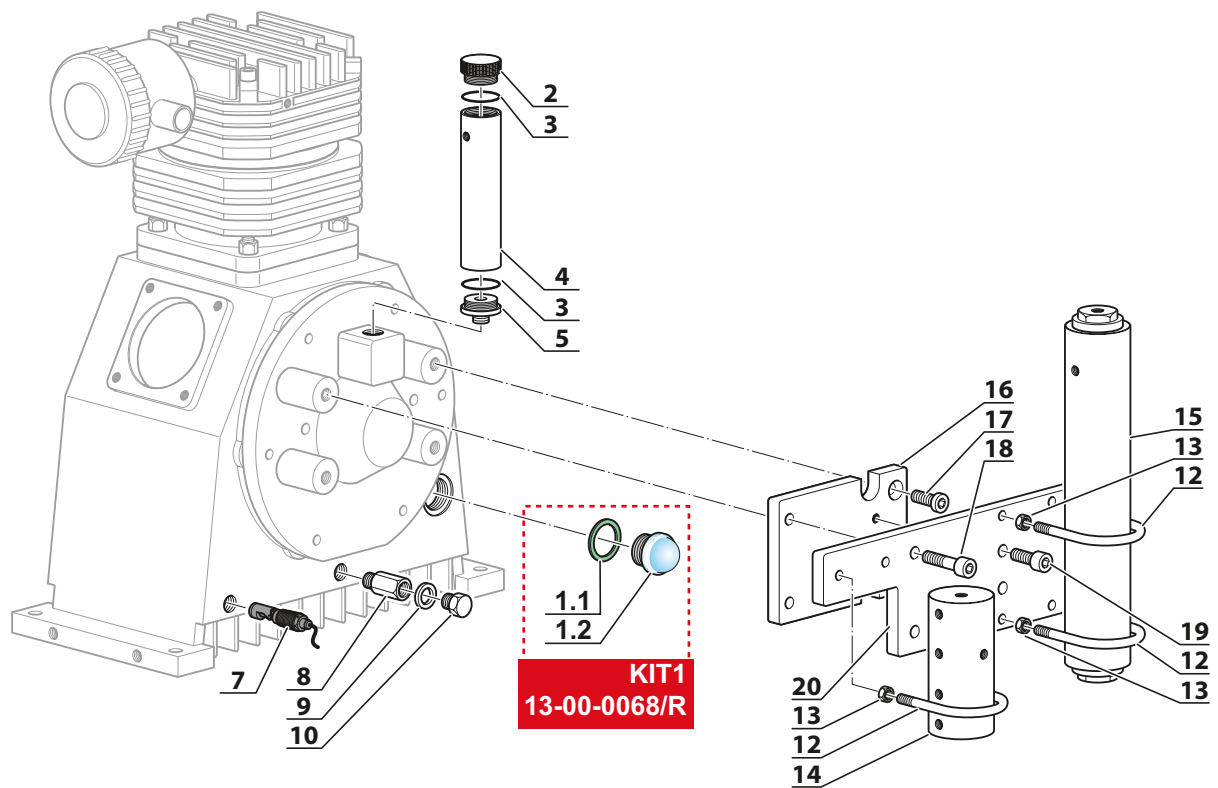


**LIVELLO OLIO - OIL LEVEL**  
**STAFFE DI FISSAGGIO - BRACKETS FIXING**

Rif. Pos.	Q.tà Q.ty	Codice Code	Descrizione	Description
<b>KIT1</b>	<b>1</b>	<b>13-00-0068/R</b>	<b>KIT LIVELLO OLIO</b>	<b>OIL LEVEL KIT</b>
1.1	1	13-00-0078	GUARNIZIONE	GASKET
1.2	1	13-00-0068	VISORE LIVELLO OLIO	OIL LEVEL VIEWER
2	1	13-00-0090	TAPPO 1/2 (ROSSO) CARICO OLIO MCH13/16	OIL FILLING CAP 1/2 (RED) MCH13/16
3	2	13-01-0013	O-RING 3137 NBR70 (34.60X2.62)	O-RING 3137 NBR70 (34.60X2.62)
4	1	13-00-0076	TUBO CARICO OLIO MCH13-16	OIL FILLING TUBE MCH13/16
5	1	13-00-0065	RACCORDO INF. TUBO CARICO OLIO MCH13/16	LOWER OIL CHARGE TUBE FITTING MCH13/16
6	2	RACC15106/4-1/4	RACCORDO DIRITTO 1510 6/4 1/4 TUBO 6	FITTING 1510 6/4 1/4
7	1	SC000334	SENSORE LIVELLO OLIO	OIL LEVEL SWITCH
8	1	13-00-0052	PROLUNGA SCARICO OLIO	FITTING FOR OIL DISCHARGE
9	1	13-00-0053	GUARNIZIONE RAME 21,5X28X1,5	COPPER GASKET 21,5X28X1,5
10	1	13-00-0063	TAPPO SCARICO OLIO	OIL DRAIN PLUG
11	300	TUBRILSAN6x4/N	TUBO RILSAN NERO 6x4 MM 600	BLACK RILSAN HOSE 6x4 MM 600
12	3	13-00-0102	STAFFA PORTASEPARATORE	SEPARATOR CLAMP
13	6	13-00-0018	DADO ZINCATO M8 MEDIO	MIDDLE NUT M8 ZINC.
14	1	05-00-0116	COLLETTORE	COLLECTOR
15	1	6-05-0500/CNG/P	CONDENSATORE	CONDENSER
16	1	13-00-0069	CONTROPIASTRA PORTAFILTRO MCH13-16	COUNTER FILTERS PLATE MCH13/16
17	2	VITE0825	VITE T.C.E. ZINC. 8x25 TESTA BASSA	SCREW T.C.E. ZINC. 8x25 REDUCED HEAD
18	2	VITE0840	VITE T.C.E. ZINC. 8X40	SCREW T.C.E.ZINC. 8x40
19	2	VITE0820	VITE T.C.E. ZINC. 8X20	SCREW T.C.E.ZINC. 8x20
20	1	13-00-0094/1	PIASTRA PORTAFILTRI MCH13/16 ZINCA. CON BECCO	HOLD-FILTERS PLATE MCH13/16



**LIVELLO OLIO - OIL LEVEL**  
**STAFFE DI FISSAGGIO - BRACKETS FIXING**



**1° STADIO - 1<sup>st</sup> STAGE**

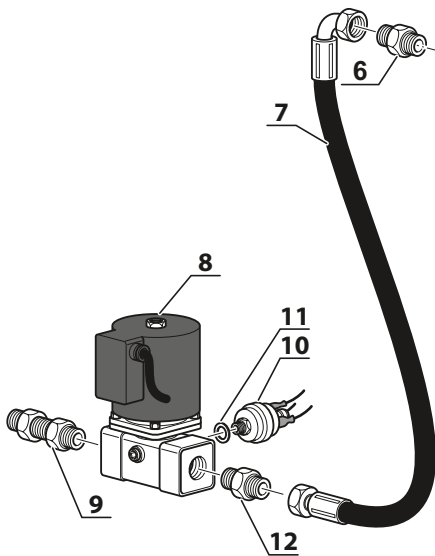
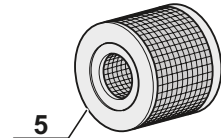
Rif. Pos.	Q.tà Q.ty	Codice Code	Descrizione	Description
<b>KIT1</b>	<b>1</b>	<b>13-01-0006/N/R</b>	<b>KIT COPERCHIO NUOVA TESTA 1° STADIO MCH-16-18</b>	<b>NEW MCH-16-18 1ST STAGE HEAD COVER KIT</b>
1.1	1		COPERCHIO NUOVA TESTA 1° STADIO	NEW 1ST STAGE HEAD COVER MCH13/16
1.2	1		RACCORDO 3/8 TUBO Ø10	FITTING 3/8 TUBE Ø10
1.3	1		O-RING 3137 NBR70 (34.60X2.62)	O-R SUCTION FILTER 3137 NBR 70 (34,60X2,62)
1.4	1		MOLLA FILTRO ASPIRAZIONE	INTAKE FILTER SPRING
1.5	1		O-RING 3281 NBR70 COPER.C.FILTRO ASPIRAZIONE	INTAKE FILTER COVER O-RING MCH13/16
1.6	1		CART. FILTRO ASP. MCH13/16	SUCTION FILTER CARTRIDGE MCH13/16
1.7	1		COPERCHIO FILTRO ASPIRAZIONE	INTAKE FILTER COVER MCH13/16
1.8	4		VITE 8X45 T.C.E. ZINC. DIN 912	SCREW 8X45 T.C.E. ZINC. DIN 912
1.9	4		RONDELLA PIANA ZINCATA M8	M8 WASHER FLAT ZINC
1.10	1		RONDELLA IN RAME 3/8 (17X23X1,5)	COPPER WASHER 3/8 (17X23X1,5)
1.11	1		GUARNIZ.1° ST.(SAGOM) MCH13/16 NUOVA TESTA	1°ST STAGE GASKET MCH/13 NEW HEAD
<b>KIT2a</b>	<b>1</b>	<b>13-01-0003/N/R</b>	<b>KIT TESTA 1° STADIO 88MM</b>	<b>1°ST STAGE CYLINDER HEAD 88MM KIT</b>
2.1	1	13-01-0005/N	GUARNIZ.1° ST.(SAGOM) MCH13/16 NUOVA TESTA	1°ST STAGE GASKET MCH/13 NEW HEAD
2.2	1		VALVOLA PRIMO STADIO A LAMELLE MCH13/16	1ST STAGE REED VALVE
2.3a	1	13-01-0003	GUARNIZIONE 1° STADIO D.88MM	1ST STAGE 88MM. GASKET UNDER HEAD
<b>KIT2b</b>	<b>1</b>	<b>16-01-0003/R</b>	<b>KIT TESTA 1° STADIO 97MM</b>	<b>1°ST STAGE CYLINDER HEAD 97MM KIT</b>
2.1	1	13-01-0005	GUARNIZ.1° ST.(SAGOM) MCH13/16	1°ST STAGE GASKET MCH/13 UPPER HEAD
2.2	1		VALVOLA PRIMO STADIO A LAMELLE MCH13/16	1ST STAGE REED VALVE
2.3b	1	16-01-0003	GUARNIZIONE 1° STADIO D.97MM	GASKET FIRST STAGE D. 97MM MCH16 UNDER HEAD
<b>KIT3a</b>	<b>1</b>	<b>13-01-0117/R</b>	<b>KIT PISTONE 1° MCH-13</b>	<b>1ST STAGE MCH13 KIT</b>
3.1a	1		PISTONE PRIMO STADIO DIAM.88MM	1ST STAGE 88MM. PISTON MCH13
3.2a	4	13-01-0118	SERIE FASCE ELASTICHE D.88MM	PISTON RINGS D. 88MM 1STA STAGE MCH13
3.3a	1		SPINOTTO PRIMO STADIO D.88MM	FIRST STAGE 88MM PIN
3.4	2		SEEGER/ANELLO ELAST.SPIN.PIST.	SEEGER RETAINING RING
<b>KIT3b</b>	<b>1</b>	<b>16-01-0117/R</b>	<b>KIT PISTONE MCH-16</b>	<b>1ST STAGE MCH16 KIT</b>
3.1b	1		PISTONE PRIMO STADIO DIAM.95MM	1ST STAGE PISTON D.95MM MCH16
3.2b	4	16-01-0118	SERIE FASCE ELASTICHE D.95MM	PISTON RINGS DIA 95MM FIRST STAGE MCH16
3.3b	1		SPINOTTO PRIMO STADIO D.95MM	FIRST STAGE 95MM PIN
3.4	2		SEEGER/ANELLO ELAST.SPIN.PIST.	SEEGER RETAINING RING
<b>KIT4a</b>	<b>1</b>	<b>13-01-0002/R</b>	<b>KIT CILINDRO 1°STADIO DIAM 88MM MCH-13</b>	<b>1ST STAGE CYLINDER 88MM. MCH13 KIT</b>
4.1a	1		CILINDRO 1°STADIO DIAM 88MM MCH-13	1ST STAGE CYLINDER 88MM. MCH13
4.2	1		O-RING 2400 NBR70(101.34X1.78)	O-RING 2400 NBR 70 101,34X1,78
4.3	4		VITE 8X60 T.C.E. ZINC. DIN 912	SCREW 8X60 T.C.E. ZINC. DIN 912
4.4	4		RONDELLA PIANA ZINCATA M8	M8 WASHER FLAT ZINC
4.5	4		DADO ZINCATO M8 MEDIO	MIDDLE NUT M8 ZINC.
4.6	4		TIRANTE PRIMO STADIO MCH13/16	FIRST STAGE TIE ROD MCH13/16
<b>KIT4b</b>	<b>1</b>	<b>16-01-0002/R</b>	<b>KIT CILINDRO 1°STADIO DIAM. 95MM MCH-16</b>	<b>1ST STAGE CYLINDER D.95MM MCH16 KIT</b>
4.1b	1		CILINDRO 1°STADIO DIAM. 95MM MCH-16	1ST STAGE CYLINDER D.95MM MCH16
4.2	1		O-RING 2400 NBR70(101.34X1.78)	O-RING 2400 NBR 70 101,34X1,78
4.3	4		VITE 8X60 T.C.E. ZINC. DIN 912	SCREW 8X60 T.C.E. ZINC. DIN 912
4.4	4		RONDELLA PIANA ZINCATA M8	M8 WASHER FLAT ZINC
4.5	4		DADO ZINCATO M8 MEDIO	MIDDLE NUT M8 ZINC.
4.6	4		TIRANTE PRIMO STADIO MCH13/16	FIRST STAGE TIE ROD MCH13/16
5	1	SC000370	CART. FILTRO ASP. MCH13/16	SUCTION FILTER CARTRIDGE MCH13/16
6	1	05-04-0517	RACCORDO	FITTING
7	1	24-06-018	TUBO FLESSIBILE	FLEXING HOSE
8	1	VMR2-2-3/4-230V	ELETTRIVALVOLA ASPIRAZIONE	ASPIRATION ELECTRIC VALVE
9	1	05-04-0600	RACCORDO	FITTING
10	1	0360001	PRESSOSTATO MINIMA PRESSIONE	MINIMUM PRESSURE SWITCH
11	1	ROND1/4	RONDELLA	WASHER
12	1	05-04-0520	RACCORDO PASSAPARETE	BULKHEAD FITTING

\* = Vedere "Listino prezzi compressori"

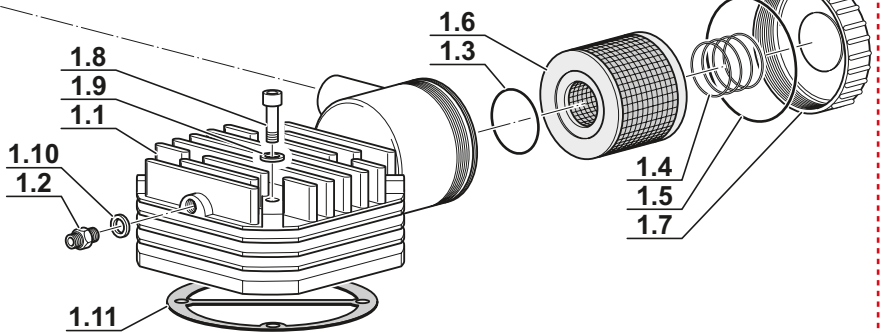
\* = See "Compressors price list"

**1° STADIO - 1<sup>st</sup> STAGE**

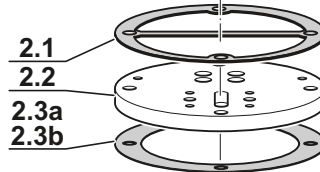
**CARTUCCIA FILTRO DI ASPIRAZIONE**  
**SUCTION FILTER CARTRIDGE**



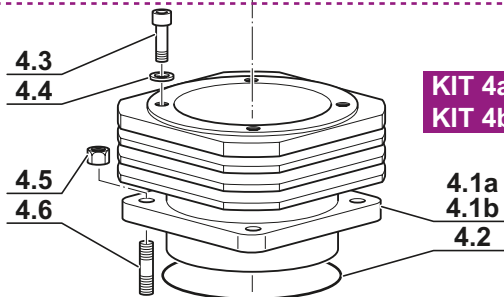
**KIT 1 - 13-01-0006/N/R (\*)**



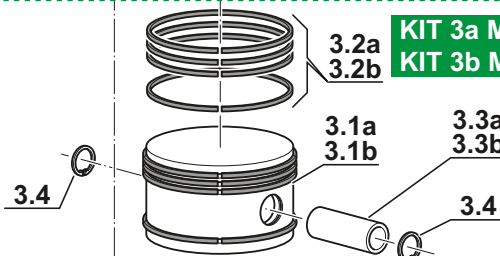
**KIT 2a MCH-10 - 13-01-0003/R**  
**KIT 2b MCH-14 - 16-01-0003/R**



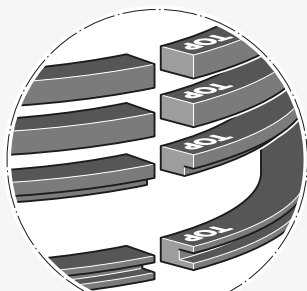
**KIT 4a MCH-10 - 13-01-0002/R**  
**KIT 4b MCH-14 - 16-01-0002/R**



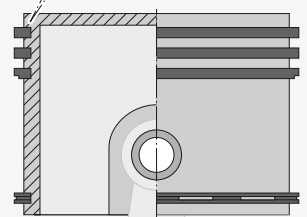
**KIT 3a MCH-10 - 13-01-0117/R**  
**KIT 3b MCH-14 - 16-01-0117/R**



*Senso di montaggio fasce elastiche*  
*Direction of assembly of segments*



*Coperchio testa*  
*Head cover*

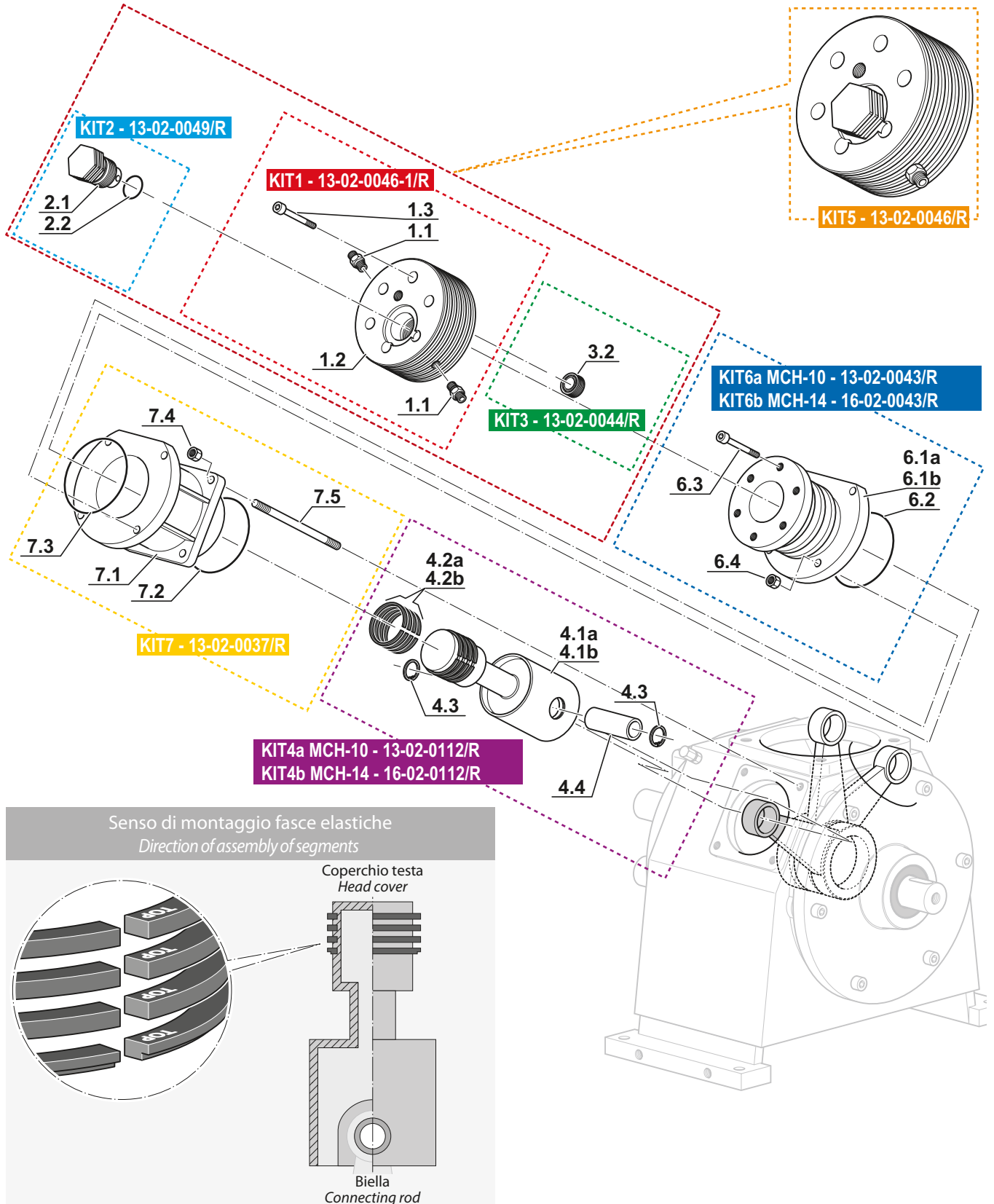


*Biella*  
*Connecting rod*

**2° STADIO - 2<sup>nd</sup> STAGE**

Rif. Pos.	Q.tà Q.ty	Codice Code	Descrizione	Description
<b>KIT1</b>	<b>1</b>	<b>13-02-0046-1/R</b>	<b>KIT TESTA 2° STADIO MCH13/16</b>	<b>SECOND STAGE HEAD MCH13/16 KIT</b>
1.1	2		RACCORDO DIRITTO 1/4 TUBO 10MM	LONG STRAIGHT 1/4 PIPE FITTING10MM.
1.2	1		TESTA 2° STADIO MCH13/16	SECOND STAGE HEAD MCH13/16
1.3	6		VITE T.C.E. ZINC. 8X30	SCREW 8X30 T.C.E. ZINC.
<b>KIT2</b>	<b>1</b>	<b>13-02-0049/R</b>	<b>KIT VALV.SCAR.2° STAD. MCH13/16</b>	<b>2ND STAGE PRESSURE VALVE ASS MCH13/16 KIT</b>
2.1	1		VALV.SCAR.2° STAD. MCH13/16	2ND STAGE PRESSURE VALVE ASS MCH13/16
2.2	1		O-RING 4087 VITON NBR 90 SHORT (21.82X3.53)	O-RING 4087 (21,82X3,53) VITON NBR 90 SHORT
2.3	1		O-RING 2062 VITON NBR 90 SHORT(15.60X1.78)	O-RING VITON NBR 90 SHORT
<b>KIT3</b>	<b>1</b>	<b>13-02-0044/R</b>	<b>VALVOLA ASPIRAZIONE 2°STADIO</b>	<b>2ND STAGE SUCTION VALVE ASSBLY</b>
3.1	1		O-RING 2062 VITON NBR 90 SHORT(15.60X1.78)	O-RING VITON NBR 90 SHORT
3.2	1		VALVOLA ASPIRAZIONE 2°STADIO	2ND STAGE SUCTION VALVE ASSBLY
<b>KIT4a</b>	<b>1</b>	<b>13-02-0112/R</b>	<b>KIT PISTONE 2^ STADIO DIAM.60/36MM MCH-13</b>	<b>2ND STAGE PISTON DIA. 60/36MM MCH13 KIT</b>
4.1a	1		PISTONE 2^ STADIO DIAM.60/36MM MCH13	2ND STAGE PISTON DIA. 60/36MM MCH13
4.2a	4	13-02-0113	SERIE FASCE ELASTICHE D.36MM	PISTON RING DIA. 36MM 2ND STAGE MCH13
4.3	2		SEEGER/ANELLO ELAST.SPIN.PIST.	SEEGER RETAINING RING
4.4	1		SPINOTTO 3° STADIO D.60,36MM	2ND STAGE PIN
<b>KIT4b</b>	<b>1</b>	<b>16-02-0112/R</b>	<b>KIT PISTONE 2^ STADIO DIAM.60/38MM MCH16</b>	<b>2ND STAGE PISTON D.60/38MM MCH16 KIT</b>
4.1b	1		PISTONE 2^ STADIO DIAM.60/38MM MCH16	2ND STAGE PISTON D.60/38MM MCH16
4.2b	4	16-02-0113	SERIE FASCE ELASTICHE D.38MM MCH16	2ND STAGE PISTON RINGS D.38MM MCH/16
4.3	2		SEEGER/ANELLO ELAST.SPIN.PIST.	SEEGER RETAINING RING
4.4	1		SPINOTTO 3° STADIO D.60,36MM	2ND STAGE PIN
<b>KIT5</b>	<b>1</b>	<b>13-02-0046/R</b>	<b>TESTA 2° STADIO COMPLETA DI VALVOLE E RACCORDI</b>	<b>2ND STAGE HEAD COMPLETE WITH FITTING-ALVE</b>
<b>KIT6a</b>	<b>1</b>	<b>13-02-0043/R</b>	<b>KIT CILINDRO SECONDO STADIO D.36MM MCH13</b>	<b>2ND STAGE 36MM CYLINDER MCH13 KIT</b>
6.1a	1		CILINDRO SECONDO STADIO D.36MM MCH13	2ND STAGE 36MM CYLINDER MCH13
6.2	1		O-RING 3237 NBR70 (60.00X2.62)	O-RING 3237 NBR 70 60X2,62
6.3	6		VITE T.C.E. ZINC. 8X30	SCREW 8X30 T.C.E. ZINC.
6.4	4		DADO ZINCATO M8 MEDIO	MIDDLE NUT M8 ZINC.
<b>KIT6b</b>	<b>1</b>	<b>16-02-0043/R</b>	<b>KIT CILINDRO SECONDO STADIO D.38MM MCH16</b>	<b>2ND STAGE CYLINDER D.38MM MCH16 KIT</b>
6.1b	1		CILINDRO SECONDO STADIO D.38MM MCH16	2ND STAGE CYLINDER D.38MM MCH16
6.2	1		O-RING 3237 NBR70 (60.00X2.62)	O-RING 3237 NBR 70 60X2,62
6.3	6		VITE T.C.E. ZINC. 8X30	SCREW 8X30 T.C.E. ZINC.
6.4	4		DADO ZINCATO M8 MEDIO	MIDDLE NUT M8 ZINC.
<b>KIT7</b>	<b>1</b>	<b>13-02-0037/R</b>	<b>KIT CILINDRO GUIDA 2° STAD. D.60MM</b>	<b>2ND STAGE 60MM. GUIDING CYLINDMCH13/16 KIT</b>
7.1	1		CILINDRO GUIDA 2° STAD. D.60MM	2ND STAGE 60MM. GUIDING CYLINDMCH13/16
7.2	1		O-RING 2275 NBR70 (69.57X1.78)	O-RING 2275 NBR 70 69,57X1,78
7.3	1		O-RING 3237 NBR70 (60.00X2.62)	O-RING 3237 NBR 70 60X2,62
7.4	4		DADO ZINCATO M8 MEDIO	MIDDLE NUT M8 ZINC.
7.5	4		TIRANTE SECONDO/TERZO STADIO MCH13/16	2ND/3RD STAGE TIE ROD

**2° STADIO - 2<sup>nd</sup> STAGE**



**3° STADIO - 3<sup>rd</sup> STAGE**

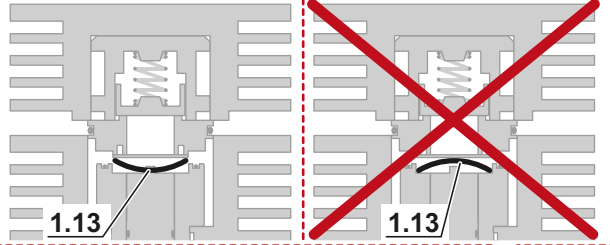
Rif. Pos.	Q.tà Q.ty	Codice Code	Descrizione	Description
<b>KIT1</b>	<b>1</b>	<b>13-03-0022-2/R</b>	<b>KIT TESTA NUOVA 3° STADIO MCH-13-16</b>	<b>3RD STAGE NEW HEAD MCH-13-16</b>
1.1	1		PERNO GUIDA VALV. SC. 3°ST MCH-13-16 M16X1,5	SPINDLE SPRING VALVE 3RD STAGE
1.2	1		O-RING 2062 VITON NBR 90 SHORT(15.60X1.78)	O-RING VITON NBR 90 SHORT
1.3	1		MOLLA INOX Ø11X8,6 L. 18,5 FILO 1,2 4° ST. MCH-36	INOX SPRING Ø11X8,6 L. 18,5 WIRE 1,2 4° ST. MCH-36
1.4	6		VITE T.C.E. ZINC. 8X45 DIN912	SCREW T.C.E. ZINC. 8X45 DIN912
1.5	1		TESTA NUOVA 3° STADIO MCH-13-16	KIT 3RD STAGE NEW HEAD MCH-13-16
1.6	1		RACC. 1/4 G TUBO 8 MM	1/4 G TUBE 8MM FITTING
1.7	3		RONDELLA 1/4 IN RAME	COPPER WASHER 1/4
1.8	1		RACCORDO 1/4 G -TUBO 6MM DIRITTO ERMETO	FITTING 1/4 G -PIPE 6MM ERMETO
1.9	1		O-RING 2100 VITON NBR 70 SHORT(25.12X1.78)	O-RING 2100 (25,12X1,78) VITON NBR 70 SHORT
1.10	1		PIATTELLO A STELLA VALV. SCARICO 3°ST MCH-13-16	STAR PLATE EXHAUST VALVE 3RD STAGE MCH-13-16
1.11	1		CORPO VALVOLA Ø15 3° STADIO MCH-13-16	BODY VALVE 3RD STAGE MCH-13-16
1.12	1		DISCO VALVOLA ASPIRAZIONE MCH36 (24X15,2X1)	DISC VALVE SUCTION MCH36 (24X15,2X1)
1.13	1		MOLLA 24X15,2 H.0,2 4° ST. MCH-36	SPRING 24X15,2 H.0,2 4° ST. MCH-36
<b>KIT2</b>	<b>1</b>	<b>13-03-0122/R</b>	<b>KIT PISTONE 3° STADIO MCH13/16</b>	<b>PISTON 3RD ST.GE 14 MCH13/16 KIT</b>
2.1	5		SEGMENTI 3 <sup>^</sup> STADIO Ø14 COD. 0001400000 S0	3°RD STAGE SEGMENTS Ø14 COD. 0001400000 S0
2.2	1		PISTONE 3° STADIO Ø14MM CON PIOLO ACC. AVP	PISTON 3RD ST.GE Ø14MM WITH PEG ACC. AVP
2.3	1		O-RING 2100 VITON NBR 70 SHORT(25.12X1.78)	O-RING 2100 (25,12X1,78) VITON NBR 70 SHORT
2.4	1		CIL. 3° STADIO Ø14MM MCH-13-16 VALV. ASP.	3RD STAGE CYL. Ø14MM MCH13/16 SUCTION VALVE
<b>KIT3</b>	<b>1</b>	<b>13-00-0019/R</b>	<b>KIT TUBO LUBRIFICAZIONE 3° STADIO MCH13/16</b>	<b>LUBRICATION TUBE 3RD STAGE MCH13/16</b>
3.1	1		RACCORDO 90° 1/8 NPT	FITTING 90° 1/8 NPT
3.2	1		TUBO VISUALIZZAZIONE LUBRIFIC.	OIL LEVEL INDICATOR
3.3	1		RACC.DIAM. 8 1/8 PER TUBO RILS	CONNECTION .DIAM. 8 1/8 FOR RILS TUBE
<b>KIT4</b>	<b>1</b>	<b>13-03-0120/R</b>	<b>KIT PATTINO GUIDA 3° STADIO MCH13/16</b>	<b>PUSHING PISTON 3RD SATGE MCH13-16</b>
4.1	1		PATTINO GUIDA 3 <sup>^</sup> STADIO DIAM.	PUSHING PISTON 60MM. MCH13-16
4.2	1		SPINOTTO 3° STADIO D.60,36MM	2ND STAGE PIN
4.3	2		SEEGER/ANELLO ELAST.SPIN.PIST.	SEEGER RETAINING RING
<b>KIT5</b>	<b>1</b>	<b>13-02-0017/R</b>	<b>KIT CILINDRO GUIDA TERZO STADIO</b>	<b>3RD STAGE GUIDING CYLINDER MCH13/16 KIT</b>
5.1	1		CILINDRO GUIDA TERZO STADIO	3RD STAGE GUIDING CYLINDER MCH13/16
5.2	1		O-RING 3237 NBR70 (60.00X2.62)	O-RING 3237 NBR 70 60X2,62
5.3	6		VITE T.C.E. ZINC. 8X45 DIN912	SCREW T.C.E. ZINC. 8X45 DIN912
5.4	4		DADO ZINCATO M8 MEDIO	MIDDLE NUT M8 ZINC.
<b>KIT6</b>	<b>1</b>	<b>13-03-0190/R</b>	<b>KIT CILINDRO INFER. PATTINO GUIDA 60MM 3°ST</b>	<b>LOWER 3RD STAGE 60MM GUIDING CYLINDER KIT</b>
6.1	1		CILINDRO INFER. PATTINO GUIDA 60MM 3°ST	LOWER 3RD STAGE 60MM. GUIDING CYLINDER
6.2	1		O-RING 2275 NBR70 (69.57X1.78)	O-RING 2275 NBR 70 69,57X1,78
6.3	4		DADO ZINCATO M8 MEDIO	MIDDLE NUT M8 ZINC.
6.4	4		TIRANTE SECONDO/TERZO STADIO MCH13/16	2ND/3RD STAGE TIE ROD
<b>KIT7</b>	<b>1</b>	<b>13-03-0027/1/R</b>	<b>KIT SOSTITUZIONE NUOVA TESTA</b>	<b>NEW HEAD UPGRADE KIT</b>
7.1	1	13-03-0022-2/R	KIT TESTA NUOVA 3° STADIO MCH-13-16	3RD STAGE NEW HEAD MCH-13-16
7.2	1	13-03-0122/R	KIT PISTONE 3° STADIO MCH13/16	PISTON 3RD ST.GE 14 MCH13/16 KIT
<b>KIT8</b>	<b>1</b>	<b>13-03-0022/15/R</b>	<b>KIT VALVOLA NUOVA TESTA 3°STADIO</b>	<b>SERVICE KIT 3RD STAGE VALVES G3</b>
8.1	1		O-RING 2062 VITON NBR 90 SHORT(15.60X1.78)	O-RING VITON NBR 90 SHORT
8.2	1		MOLLA INOX Ø11X8,6 L. 18,5 FILO 1,2 4° ST. MCH-36	INOX SPRING Ø11X8,6 L. 18,5 WIRE 1,2 4° ST. MCH-36
8.3	1		RONDELLA 1/4 IN RAME	COPPER WASHER 1/4
8.4	1		PIATTELLO A STELLA VALV. SCARICO 3°ST MCH-13-16	STAR PLATE EXHAUST VALVE 3RD STAGE MCH-13-16
8.5	1		CORPO VALVOLA Ø15 3° STADIO MCH-13-16	BODY VALVE 3RD STAGE MCH-13-16
8.6	1		O-RING 2100 VITON NBR 70 SHORT(25.12X1.78)	O-RING 2100 (25,12X1,78) VITON NBR 70 SHORT
8.7	1		DISCO VALVOLA ASPIRAZIONE MCH36 (24X15,2X1)	DISC VALVE SUCTION MCH36 (24X15,2X1)
8.8	1		MOLLA 24X15,2 H.0,2 4° ST. MCH-36	SPRING 24X15,2 H.0,2 4° ST. MCH-36
8.9	1		O-RING 2100 VITON NBR 70 SHORT(25.12X1.78)	O-RING 2100 (25,12X1,78) VITON NBR 70 SHORT

**3° STADIO - 3<sup>rd</sup> STAGE**

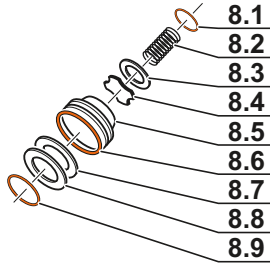
Posizionamento molla - Spring positioning

**YES**

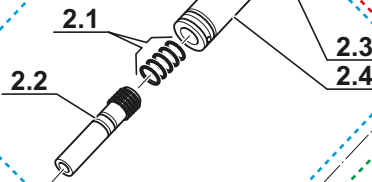
**NO**



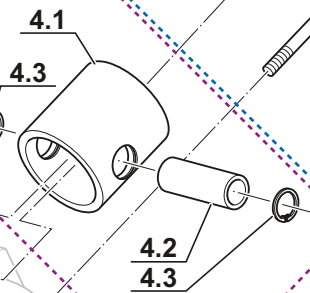
**KIT 8 - 13-03-0022/15/R**  
Kit Valvola nuova testa 3° stadio  
Service kit 3rd stage valves G3



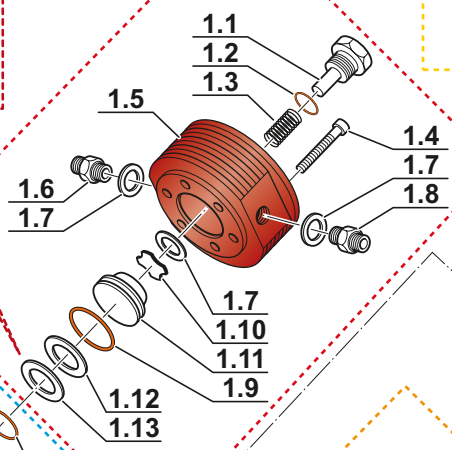
**KIT 2**  
13-03-0122/R



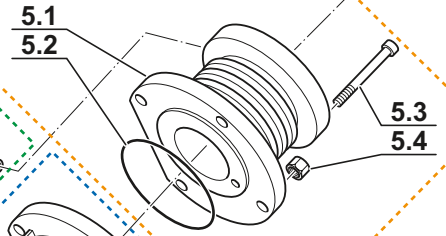
**KIT 4**  
13-03-0120/R



**KIT 1**  
13-03-0022-2/R

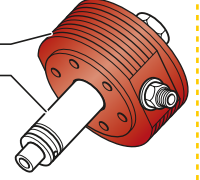


**KIT 5**  
13-02-0017/R

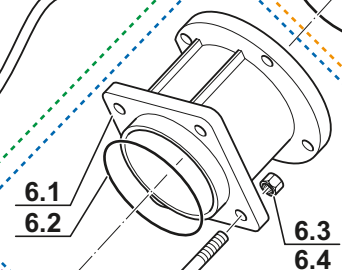


**KIT 7 - 13-03-0027/1/R**  
Kit sostituzione nuova testa  
New head upgrade kit

7.1-KIT1  
7.2-KIT2



**KIT 6**  
13-03-0190/R

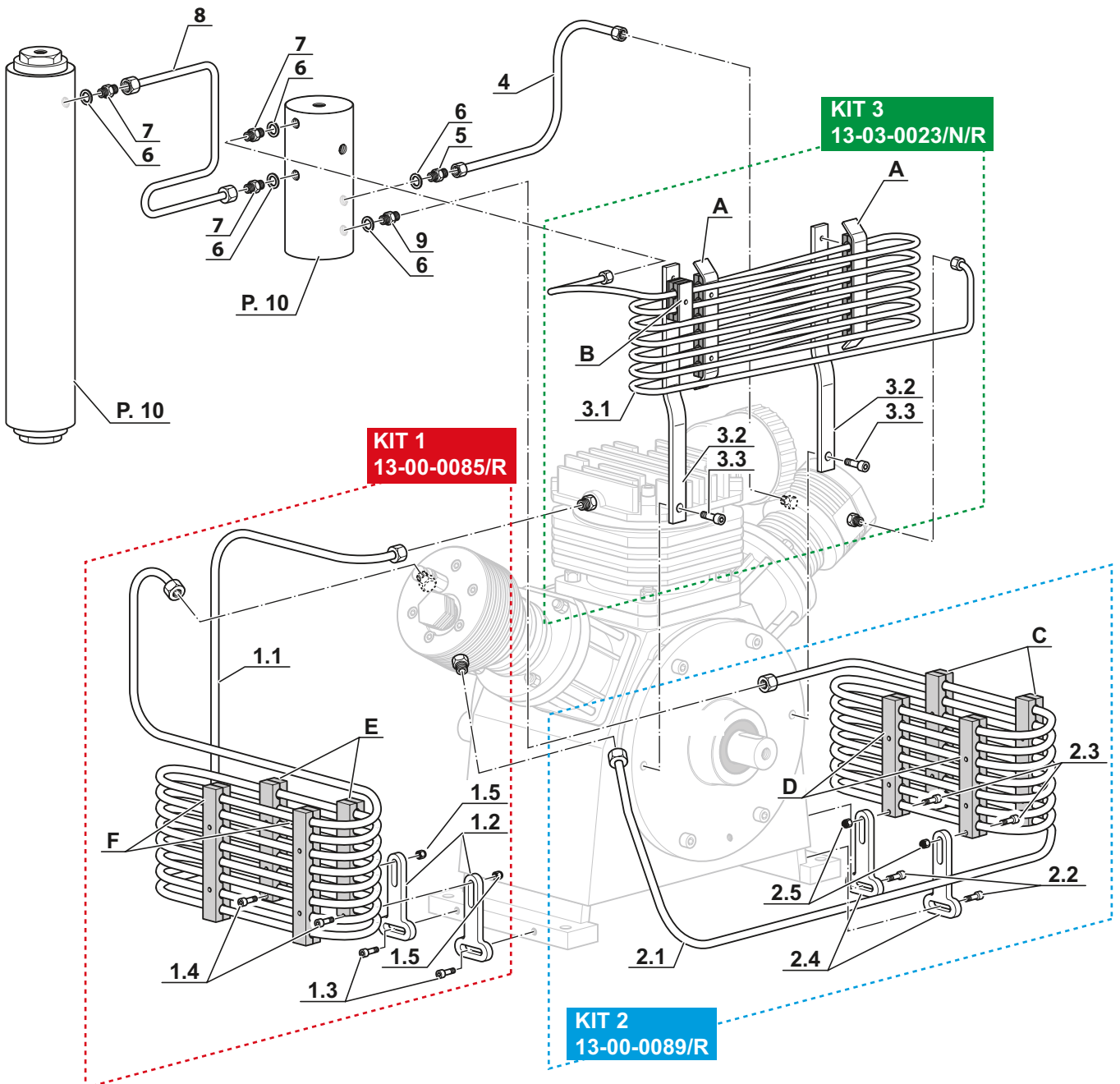
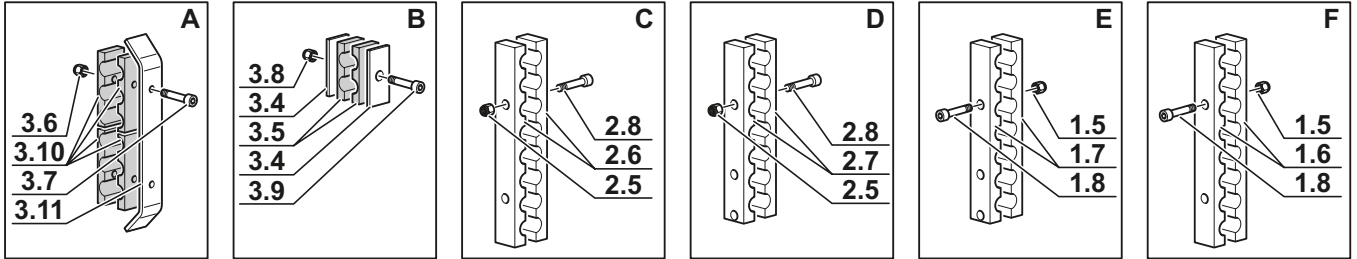


**CIRCUITO DI PRESSIONE - PRESSURE CIRCUIT**

Rif. Pos.	Q.tà Q.ty	Codice Code	Descrizione	Description
<b>KIT1</b>	<b>1</b>	<b>13-00-0085/R</b>	<b>KIT TUBO RAFFREDDAMENTO 10MM 1°-2°ST.</b>	<b>1ST-2ND STAGE 10MM COOLING PIPE KIT</b>
1.1	1		TUBO RAFFRED.10MM 1°-2°ST.	1ST-2ND STAGE 10MM COOLING PIPE
1.2	2		STAFFA PORTATUBO ZINC. 45X15MMMCH13/16	PIPE HOLDING BRACKET 45X15MMMCH13/16
1.3	4		VITE T.C.E. ZINC. 6X20 DIN912	SCREW T.C.E. ZINC. 6X20 DIN912
1.4	4		VITE 6X35 T.C.E. ZINC. DIN 912	SCREW 6X35 T.C.E. ZINC. DIN 912
1.5	10		DADO ZINCATO AUTOBLOC. M6 ALTO	SELF LOCKING NUT M6 HIGH
1.6	4		SEMISTAFFA FERMATUBO D.10 2 FORI 8 SEDI	2 HOLE PIPE-HOLDING BRACKET
1.7	4		SEMISTAFFA FERMATUBO D.10 3 FORI 7 SEDI	3 HOLE PIPE-HOLDING BRACKET
1.8	8		VITE T.C.E. ZINC. 6X30 DIN 912	SCREW T.C.E. ZINC. 6X30 DIN 912
<b>KIT2</b>	<b>1</b>	<b>13-00-0089/R</b>	<b>KIT TUBO RAFFREDDAMENTO 10MM 2°-3°ST.</b>	<b>2ND-1ST STAGE 10MM COOLING PIPE KIT</b>
2.1	1		TUBO RAFFR.10MM 2°/3°ST. (F)	2ND-3RD STAGE 10MM COOLING PIPE KIT
2.2	4		VITE T.C.E. ZINC. 6X20 DIN912	SCREW T.C.E. ZINC. 6X20 DIN912
2.3	4		VITE 6X35 T.C.E. ZINC. DIN 912	SCREW 6X35 T.C.E. ZINC. DIN 912
2.4	2		STAFFA PORTATUBO ZINC. 75X15MM	PIPE HOLDING BRACKET 75X15MM. MCH13/16
2.5	10		DADO ZINCATO AUTOBLOC. M6 ALTO	SELF LOCKING NUT M6 HIGH
2.6	4		SEMISTAFFA FERMATUBO D.10 2 FORI 8 SEDI	2 HOLE PIPE-HOLDING BRACKET
2.7	4		SEMISTAFFA FERMATUBO D.10 3 FORI 7 SEDI	3 HOLE PIPE-HOLDING BRACKET
2.8	8		VITE T.C.E. ZINC. 6X30 DIN 912	SCREW T.C.E. ZINC. 6X30 DIN 912
<b>KIT3</b>	<b>1</b>	<b>13-03-0023/N/R</b>	<b>KIT TUBO RAFFREDAMENTO 6MM 3°-SEPARATORE</b>	<b>3RD-SEPARATOR 6MM COOLING PIPE KIT</b>
3.1	1		TUBO RAFFREDAM.TO DIAM. 6 (C)	6MM COOLING PIPE 3RD-SEPARATOR
3.2	2		STAFFA PORTATUBO 6 MM	TUBE CLAMP 6 MM SEPARATOR-4TH STAGE
3.3	2		VITE T.C.E. ZINCATA 8X30	SCREW T.C.E. ZINCATA 8X30
3.4	2		STAFFA SINGOLA PORTATUBO 3MM	SINGLE 6MM. PIPE-HOLDING BRACKET MCH13/16
3.5	2		GOMM ANTIVIBR 2 FORI TUBO DA 6	ANTI VIBRATION BLOCK TUBE6 2 HOLE
3.6	4		DADO ZINCATO AUTOBL. M6 BASSO	SELF LOCKING NUT LOW M6 DIN 985
3.7	4		VITE T.C.E. ZINC. 6X25 DIN 912	SCREW T.C.E. ZINC. 6X25 DIN 912
3.8	1		DADO ZINC. AUTOB. M5 BASSO	SELF LOCKING NUT ZINC. M5 LOW
3.9	1		VITE T.C.E. ZINC. 5X25 DIN912	SCREW T.C.E. ZINC. 5X25 DIN912
3.10	8		GOMM. ANTIVIBR. PORTATUB 3 FOR	ANTI VIBRATION BLOCK TUBE6 3 HOLE
3.11	2		STAFFA DOPPIA PORTATUBO 6MM	DOUBLE 6MM. PIPE-HOLDING BRACKET MCH13/16
4	1	13-00-0036/P	TUBO 8MM COLLEG.SEP/3° ST.(D)	TUBE 8MM. 3RD STAGE/SEPARATOR(D) MCH13/16
5	1	13-00-0175E	RACC. 1/4 G TUBO 8 MM	1/4 G TUBE 8MM FITTING
6	4	GUAR1319	RONDELLA 1/4 IN RAME	COPPER WASHER 1/4
7	3	13-00-0174E	RACC. 1/8 NPT TUBO 6 MM	STRAIGHT 1/8 PIPE FITTING 6
8	1	TUBO/ MCH13/B/N/P	TUBO Ø6 COLLETTORE-CONDENSATORE MCH-14	TUBE Ø6 COLLECTOR-CONDENSER MCH-14
9	1	13-00-0026E	RACCORDO 1/4 G -TUBO 10MM DIRITTO ERMETO	STRAIGHT FITTING 1/4 G -TUBO 10MM ERMETO



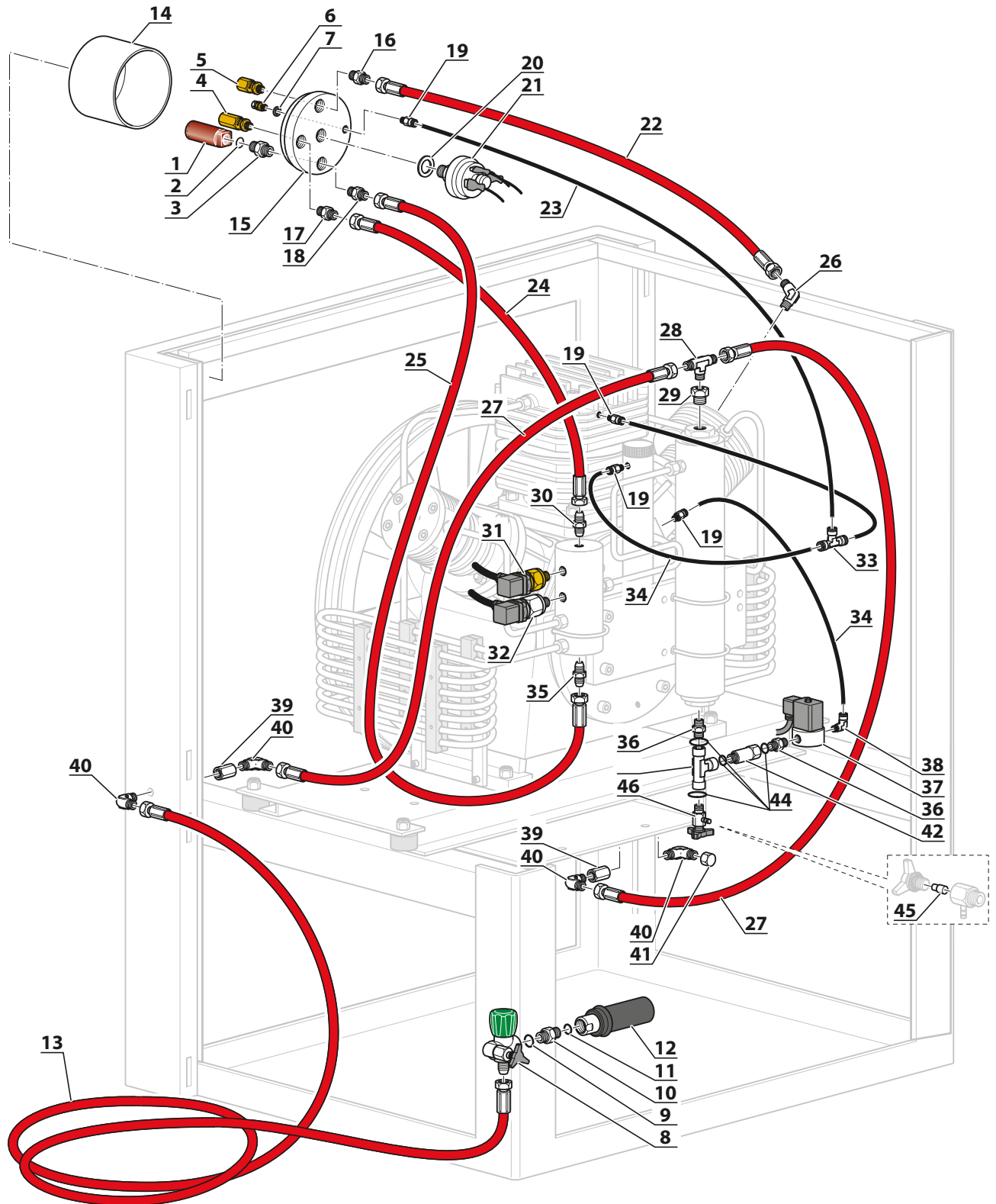
**CIRCUITO DI PRESSIONE - PRESSURE CIRCUIT**



**CIRCUITO DI SICUREZZA - SAFETY CIRCUIT**

Rif. Pos.	Q.tà Q.ty	Codice Code	Descrizione	Description
1	1	6-05-015/1/225	VALVOLA DI SICUREZZA 225 BAR	SAFETY VALVE 225 BAR
2	1	OR-114/90	O-RING 114 NBR 90	O-RING 114 NBR 90
3	1	6-05-015H/N	RACCORDO 1/8NPT-M12 PASSO 1,25	SAFETY VALVE FITTING 1/8NPT-M12X1,25
4	1	13-00-0206	VALVOLA SICUREZZA 2° STADIO 70BAR	2ND STAGE SAFETY VALVE 70BAR
5	1	13-00-0205	VALVOLA SICUREZZA 1° STADIO MCH-13-16 10BAR	1ST STAGE SAFETY VALVE MCH-13-16 10BAR
6	1	SC000492	VALVOLA SICUREZZA	SAFETY VALVE
7	1	13-04-0225	RACCORDO 1/4 GAS - 1/4 NPT	FITTING 1/4 GAS - 1/4 NPT
8	1	05-04-0621	RUBINETTO BC VERDE X METANO	GREEN VALVE FOR CNG
9	1	OR-2056	O RING 2056 NBR 70-75 SH (14X1,78)	O RING 2056 NBR 70-75 SH (14X1,78)
10	1	05-04-0620	RACCORDO 5/8-24 UNEF 9/16-18 UNF	FITTING 5/8-24 UNEF 9/16-18 UNF CNG
11	1	36-07-032	O-RING 112 NBR 90 (9.92X2.62) MCH36	O-RING 112 NBR 90 (9.92X2.62) MCH36
12	1	MANDRINO/TK4	MANDRINO DI CARICA MOD. TK4 NGV1	CHUCK CHARGE MOD. TK4 CNG
13	1	24-06-020	TUBO 5CNC-4 L=5000	PIPE 5CNC-4 L=5000
14	1	05-05-001	COPERCHIO COLLETORE GAS	GAS COLLECTOR COVER
15	1	05-05-002	FLANGIA COLLETORE GAS	FLANGE COLLECTOR GAS
16	1	13-00-0174	RACCORDO M-M	FITTING M-M
17	1	13-00-0174	RACCORDO M-M	FITTING M-M
18	1	13-00-0174	RACCORDO M-M	FITTING M-M
19	1	RACC/E2L01008	RACCORDO INNESTO RAPIDO	FAST JOINTING FITTING
20	1	ROND1/4	RONDELLA	WASHER
21	1	0360001	PRESSOSTATO COLLETORE GAS	GAS COLLECTOR PRESSURE SWITCH
22	1	24-06-016	TUBO GAS COLLETORE-2° STADIO	TUBE GAS COLLECTOR-2ND STAGE
23	1	TUBRILSAN6X4/500	TUBO RILSAN NERO	TUBE RILSAN BLACK
24	1	24-06-012	TUBO GAS COLLETORE-COLLETORE	TUBE GAS COLLECTOR-COLLECTOR
25	1	24-06-014	TUBO GAS COLLETORE-COLLETORE	TUBE GAS COLLECTOR-COLLECTOR
26	1	13-00-0144	RACCORDO M-M 90°	FITTING M-M 90°
27	2	24-06-017	TUBO GAS CONDENSATORE-PARATIA	TUBE GAS CONDENSATOR-BULKHEAD
28	1	S610-06-13G	RACCORDO M-M-M T	FITTING M-M-M T
30	1	13-00-0174	RACCORDO M-M	FITTING M-M
31	1	4830H17T200	Termostato di sicurezza	Safety thermostat
32	1	5062601065	Pressostato di sicurezza finale	Final Safety pressure switch
33	1	13-04-0242	RACCORDO M-F-F INNESTO RAPIDO	FITTING M-F-F FAST JOINTING
34	1	TUBRILSAN6X4/250	TUBO RILSAN NERO	TUBE RILSAN BLACK
35	1	13-00-0174	RACCORDO M-M	FITTING M-M
36	1	13-04-0225	RACCORDO M-M	FITTING M-M
37	1	13-04-0222	ELETTRIVALVOLA SCARICO CONDENSA	SOLENOID VALVE CONDENSATE DISCHARGE
38	1	36-07-065	RACCORDO 90° INNESTO RAPIDO	FAST JOINTING FITTING 90°
39	2	05-04-0610	PROLUNGA F-F	EXTENSION F-F
40	4	36-07-003	RACCORDO M-M 90°	FITTING M-M 90°
41	1	6-00-029	TAPPO	PLUG
42	1	6-00-028P	PROLUNGA F-M	EXTENSION F-M
43	1	RAC/1/4/T	RACCORDO A T 1/4 GAS FFF	FITTING T 1/4 GAS FFF
44	1	GUAR1319	GUARNIZIONE RAME RICOTTO 13.5X19X1,5	COPPER GASKET 13X19X1.5
45	1	RE/010288021015	FILTRO CONICO DIN	CONICAL FILTER
46	1	13-00-0161-1/4G/P	RUBIN. SCARICO CONDENSA 1/4 GAS	CONDENSATE DISCHARGE VALVE 1/4 GAS

**CIRCUITO DI SICUREZZA - SAFETY CIRCUIT**

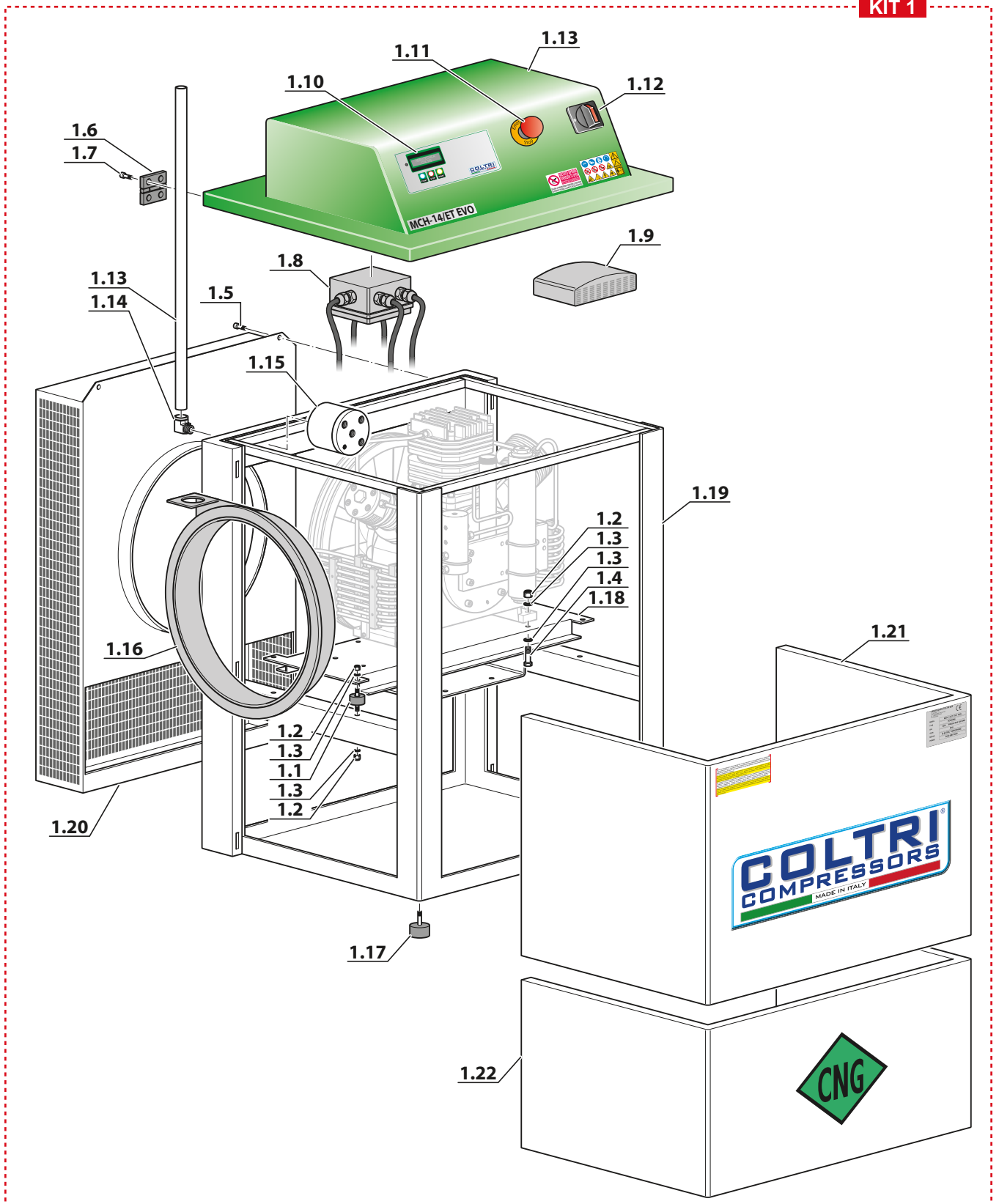


**TELAIO - FRAME**

Rif. Pos.	Q.tà Q.ty	Codice Code	Descrizione	Description
<b>KIT1</b>	<b>1</b>	<b>14-00-0055/R</b>	<b>TELAIO MCH-14 EVO CNG</b>	<b>FRAME MCH-14 EVO CNG</b>
1.1	4		ANTIVIBRANTE	VIBRATION DAMPER
1.2	12		DADO ZINCATO AUTOBLOC. M8	NUT ZINC. AUTOBLOC. M8
1.3	16		RONDELLA PIANA ZINCATA M8	WASHER PLANT ZINC. M8
1.4	4		VITE T.C.E. ZINC. 8X35	SCREW T.C.E. ZINC. 8X35
1.5	2		VITE T.C.E. ZINC. 6X30 DIN912	SCREW T.C.E. ZINC. 6X30 DIN912
1.6	2		CERNIERA SPORTELLO	DOOR HINGE
1.7	12		VITE INOX 5X16 TESTA SVASATATAGLIO CROCE	SCREW INOX 5X16
1.8	1		CABLAGGIO COMPLETO	COMPLETE WIRING
1.9	1		SENSORE PRESENZA GAS	PRESENCE GAS SENSOR
1.10	1		Controllo elettronico	Electronic control
1.11	1		PULSANTE DI EMERGENZA	EMERGENCY PUSH BUTTON
1.12	1		SELETTORE ON OFF	ON/OFF SELECTOR
1.13	1		PROLUNGA SCARICO GAS	EXTENSION EXHAUST GAS
1.14	1		RACCORDO 90°	FITTING 90°
1.15	1		Collettore valvole di sicurezza	Manifold safety valves
1.16	1		Avvolgitubo	hose reel
1.17	4		PIEDINO SIGLA 'P' 50X30 M10	FOOT SUPPORT 'P' 50X30 M10
1.18	1		PIASTRA SUPPORTO COMPRESSORE	SUPPORT COMPRESSOR PLANTE
1.19	1		TELAIO	CHASSIS
1.20	1		PANNELLO POSTERIORE	REAR PANNEL
1.21	1		CARTER SUPERIORE	HIGHER CARTER
1.22	1		CARTER INFERIORE	LOWER CARTER

**TELAIO - FRAME**

**KIT 1**



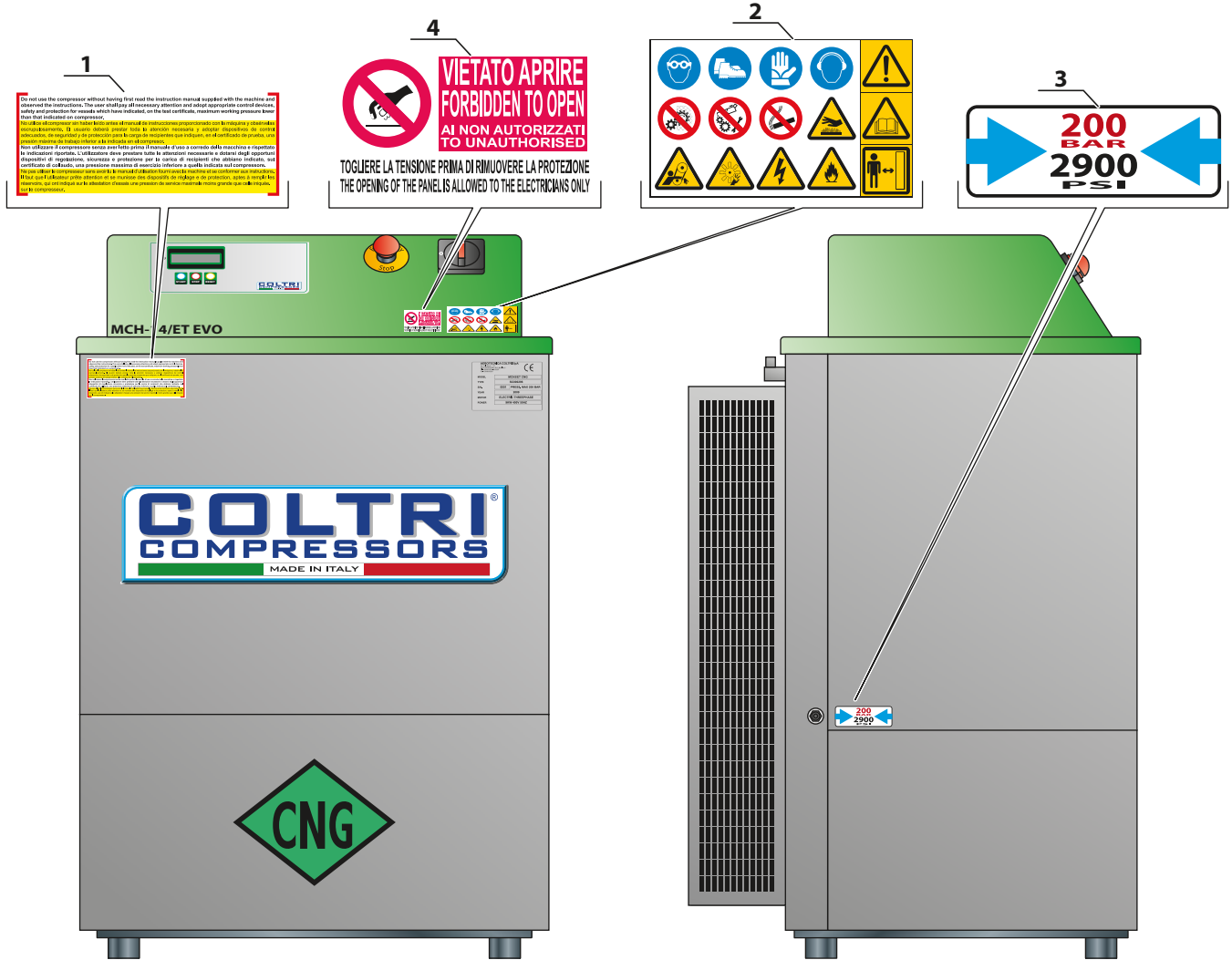
## TARGHETTE DI SICUREZZA - SAFETY INFO LABEL

Rif. Pos.	Q.tà Q.ty	Codice Code	Descrizione	Description
1	1	ADES/USO	Adesivo uso	Use Sticker
2	1	ADES/NORME/SIC1	Adesivo norme sicurezza	Safety Information Sticker
3	1	ADESIVO/200	Adesivo pressione 200 bar	Pressure Sticker 200 bar
4	1	ADES/FORBIDDEN	Adesivo Forbidden 82x42	Forbidden Sticker 82x42

## OLIO DI LUBRIFICAZIONE - LUBRICATION OIL

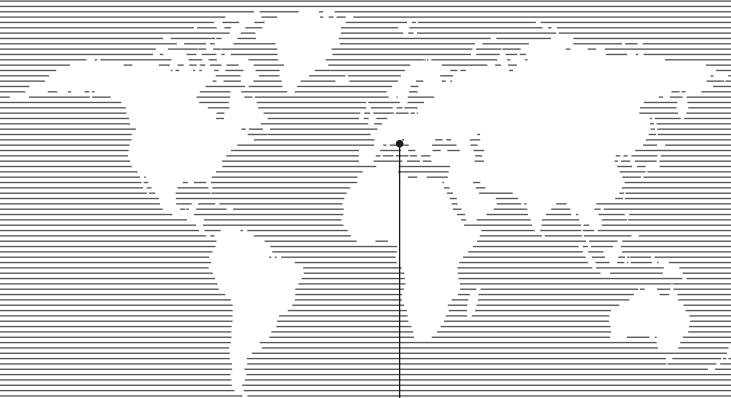
Rif. Pos.	Q.tà Q.ty	Codice Code	Descrizione	Description
1	1	SC000496	OLIO SINTETICO COLTRI CE 750 (1l)	SYNTHETIC COLTRI OIL CE 750 (1l)

**TARGHETTE DI SICUREZZA - SAFETY INFO LABEL**



**OLIO DI LUBRIFICAZIONE - LUBRICATION OIL**





AEROTECNICA COLTRI Spa  
Via Colli Storici, 177  
25015 DESENZANO DEL GARDA (BS) ITALY  
Tel. +39 030 9910301 - Fax. +39 030 9910283  
[www.coltri.com](http://www.coltri.com)

LP-CNG1014EVO-1117