



Spare Parts List

B 155 E 1st edition

K 15 DK

Printed in Western Germany

When ordering spare parts you expect delivery of the correct parts, to facilitate this we need the following indications from you:

1. **type of compressor**
2. **no. of compressor**
3. **quantity of parts needed**
4. **no. of the parts in question**, as shown on the table
5. **table no.** on which the part is shown

Please adress your spare parts order to:

Stamp of agency

the nearest agency of Bauer Kompressoren all to
BAUER-KOMPRESSOREN, 8 München 10, Wolfratshauer Str. 34-36
Ersatzteildienst, Telefon München 0811/73 20 67 (>089</ 73 20 67)
Telegramm Bauerkompressor
Fernschreiber 052-2939



FIGURE H50

Compressor block K15-DK

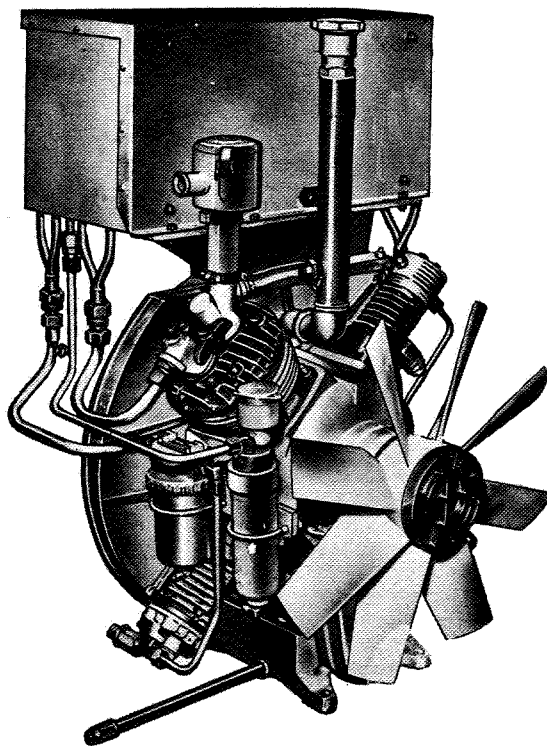


FIGURE H50

Compressor block K15-DK

		Part	Denomination for order		DIN-No.	Dimensions
			KB-No.	N-No.		
H50-1		Compressor block				

FIGURE H51

Driving part bearing and oil filling

	Part	Denommination for order		DIN-No.	Dimensions
		KB-No.	N-No.		
H51-1	Plastic hose compl.		N 1066		160x3 thickness
H51-2	Elbow		N 684	R1" DIN2952 A4	
H51-3K	Lengthening tube with fixed socket	10388K			R1"
H51-4	Screwing	10505			R1"
H51-5	Gasket	5596			320x400x3
H51-6	Filling elbow	3185			R1"
H51-7	Gasket	4416			340x400x2
H51-8	Oil dip stick		N 1290		
H51-9	Packing disk	4679			50x190x3,8
H51-10	Lengthening	6778			
H51-11	Gasket		N 1059	A12x16 DIN7603Cu	
H51-12K	Driving part compl.	11308K			
H51-13	Fitting key		N 1363	A8x7x45 DIN6885	
H51-14	Grooved ball bearing		N 475	DIN625 6308	400x900x23
H51-15	Grooved ball bearing		N 633	DIN625 6307	350x800x21
H51-16	Gasket	3177			2550x2700x 0,5
H51-17	Grooved ball bearing		N 169	DIN625 6305	250x620x17
H51-18	Shaft packing ring		N 1307	B32x47x7 DIN3760	
H51-19	Gasket	3733			62,50x900x 0,5
H51-20	Locking cover	4885			
H51-21	Countersunk screw with internal hex.		N 1361	M6x15 DIN7991-8G	

FIGURE H51

Driving part bearing and oil filling

		Part	Denommination for order		DIN-No.	Dimensions
			KB-No.	N-No.		
H51-22 H51-23 H51-24		Bearing cover Shaft packing ring Internal hex. screw	5568	N 170 N 61	B30x47x7 DIN3760 M8x25 DIN912-8G	



FIGURE H52

Driving part

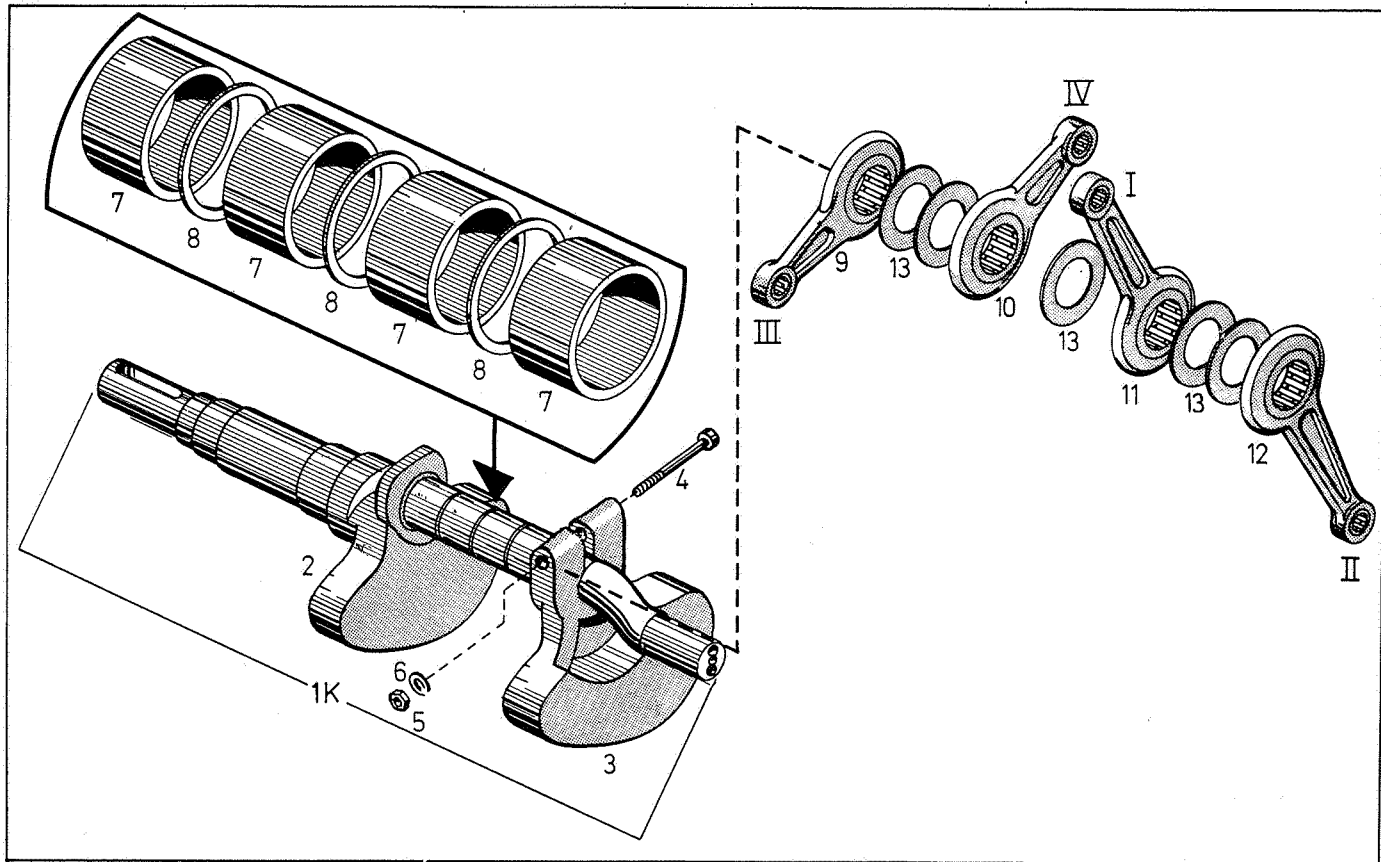


FIGURE H52

Driving part

	Part	Denomination for order		DIN-No.	Dimensions
		KB-No.	N-No.		
H52-1K	Driving part compl.	11308K			Stroke 40 300x350x16
H52-2	Crank shaft	5538			
H52-3	Counter-weight	2968			
H52-4	Internal hex. screw		N 150	M8x60	
H52-5	Hex. nut		N 289	M8	
H52-6	Spring ring		N 108	A8	
H52-7	Int. ring of needle bearing		N 2465	DIN912-8,8 DIN934-8 DIN127	
H52-8	Distance disk	4220			
H52-9	Connecting rod 3rd stage	2979			
H52-10	Connecting rod 4th stage	2979			
H52-11	Connecting rod 1st stage	2980			
H52-12	Connecting rod 2nd stage	4036			
H52-13	Distance ring	4221			

FIGURE H53

Crank case with pistons and cylinders

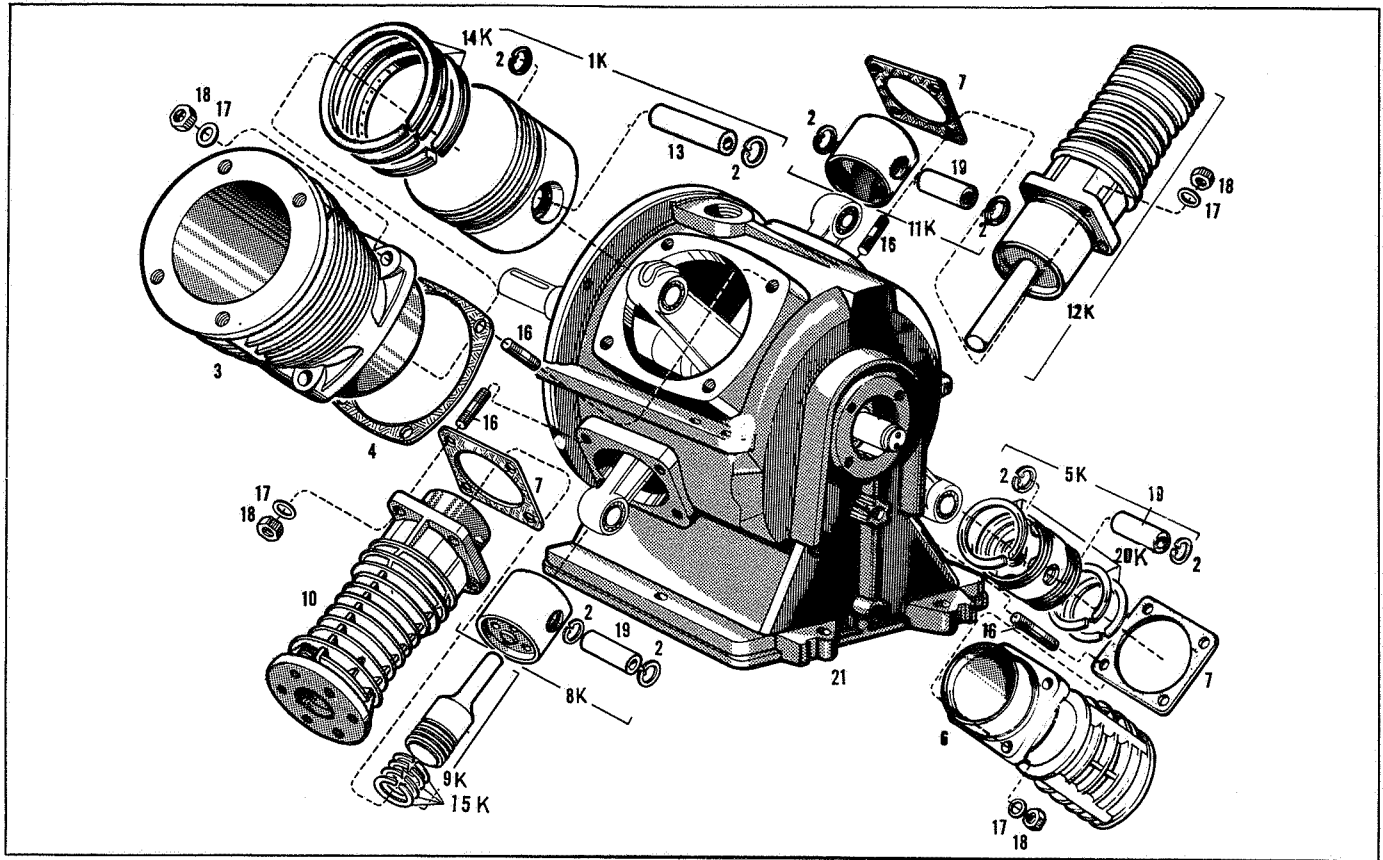


FIGURE H53

Crank case with pistons and cylinders

	Part	Denomination for order		DIN-No.	Dimensions	
		KB-No.	N-No.			
H53-1K	Piston compl.		N 1072K	200x1	DIN472	1100x 85 lg
H53-2	Circlip		N 484			1100x90 lg
H53-3	Cylinder	2970				
H53-4 K	Gasket	3109				
H53-5 K	Piston compl.		N 1073K			600x56 lg
H53-6	Cylinder	2975				600x92 lg
H53-7	Gasket	3110				
H53-8K	Guide piston compl.		N 858K			600x59 lg
H53-9K	Free piston compl.		N 1074K			360x117 lg
H53-10	Cylinder	4860				36/600x157 lg
H53-11K	Guide piston compl.		N 1075K			600x59 lg (with pivot)
H53-12K	Cylinder compl. with free piston 4th stage	4858K				14/600x100 lg
H53-13	Piston pin		N 1419			200x78 lg
H53-14K	Piston rings compl.		N 1460K			110 Ø
H53-15K	Piston rings compl.		N 1462K			36 Ø
H53-16	Stud		N 87	M8x40	DIN835-5D	
H53-17	Disk		N 58	8,4	DIN125-St	
H53-18	Hex. nut		N 289	M8	DIN934-8	
H53-19	Piston pin		N 1429			200x48 lg
H53-20	Piston rings compl.		N 1461K			600
H53-21	Crank case — upper part	2986				

FIGURE H54

Crank case — lower part with cam shaft

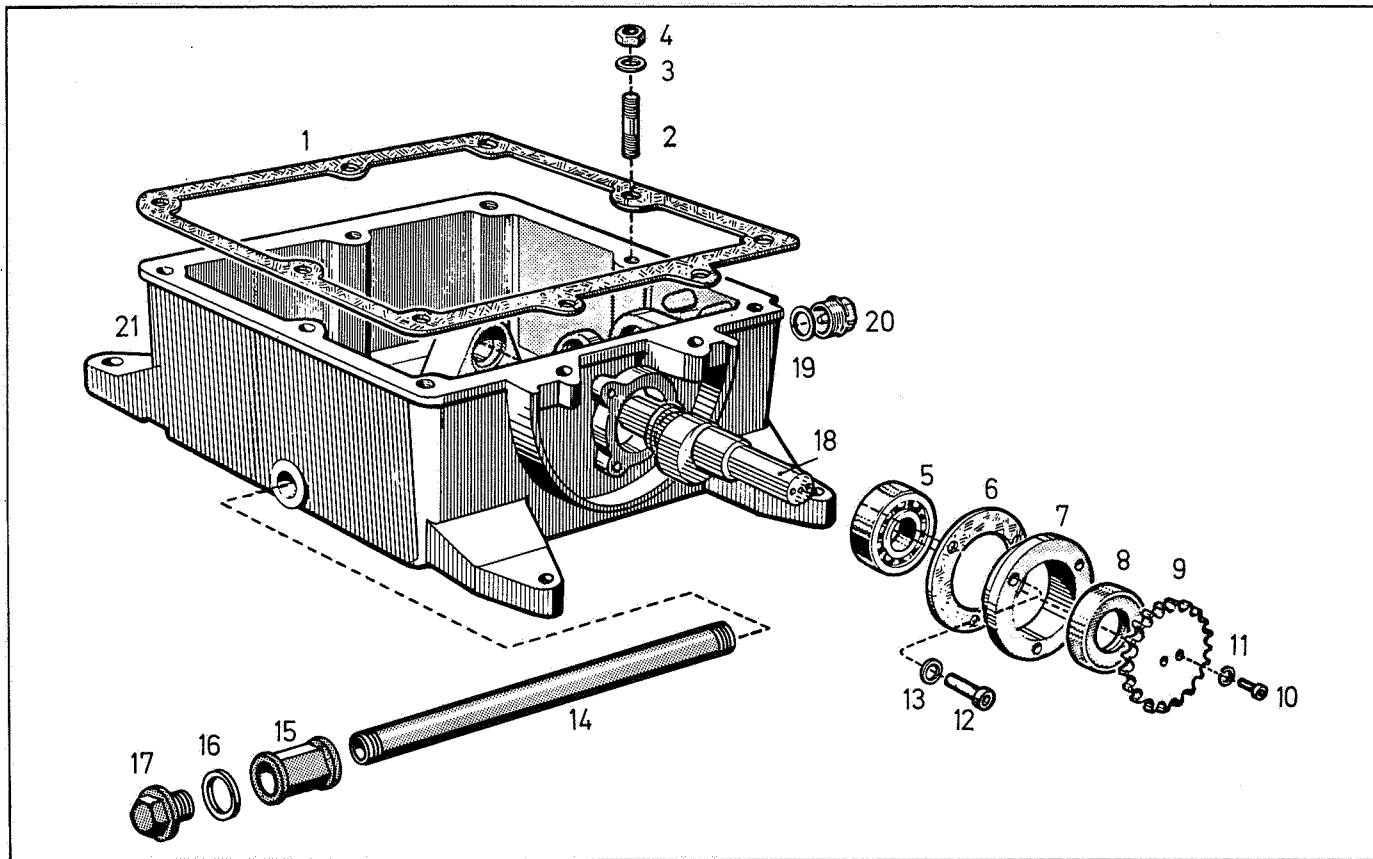


FIGURE H54

Crank case – lower part with cam shaft

	Part	Denomination for order		DIN-No.	Dimensions
		KB-No.	N-No.		
H54-1	Gasket	2992			0,7 thickness
H54-2	Stud		N 85	M8x30	
H54-3	Disk		N 58	8,4	
H54-4	Hex. nut		N 57	M8	
H54-5	Grooved ball bearing		N 91	DIN625 6204	
H54-6	Gasket	149			
H54-7	Locking cover	5348			200x470x14 47,50x74,60 x0,5
H54-8	Shaft packing ring		N 86	A20x40x7	
H54-9	Chain wheel	2006			
H54-10	Int. hex. screw		N 158	M6x15	
H54-11	Spring ring		N 100	A6	
H54-12	Hex. screw		N 53	M6x15	
H54-13	Disk		N 102	6,4	
H54-14	Lengthening		N 2448	R3/8"x 270 lg	
H54-15	Hex. socket		N 1842		
H54-16	Gasket		N 874	C17x21	
H54-17	Locking screw		N 1027	R3/8"x12	
H54-18	Cam shaft	4704		DIN910	
H54-19	Gasket		N 1028	C21x26	
H54-20	Magn. locking screw		N 2447	R1/2"	
H54-21	Crank case – lower part	2987			

FIGURE H55

Chain tensioning device – fan wheel

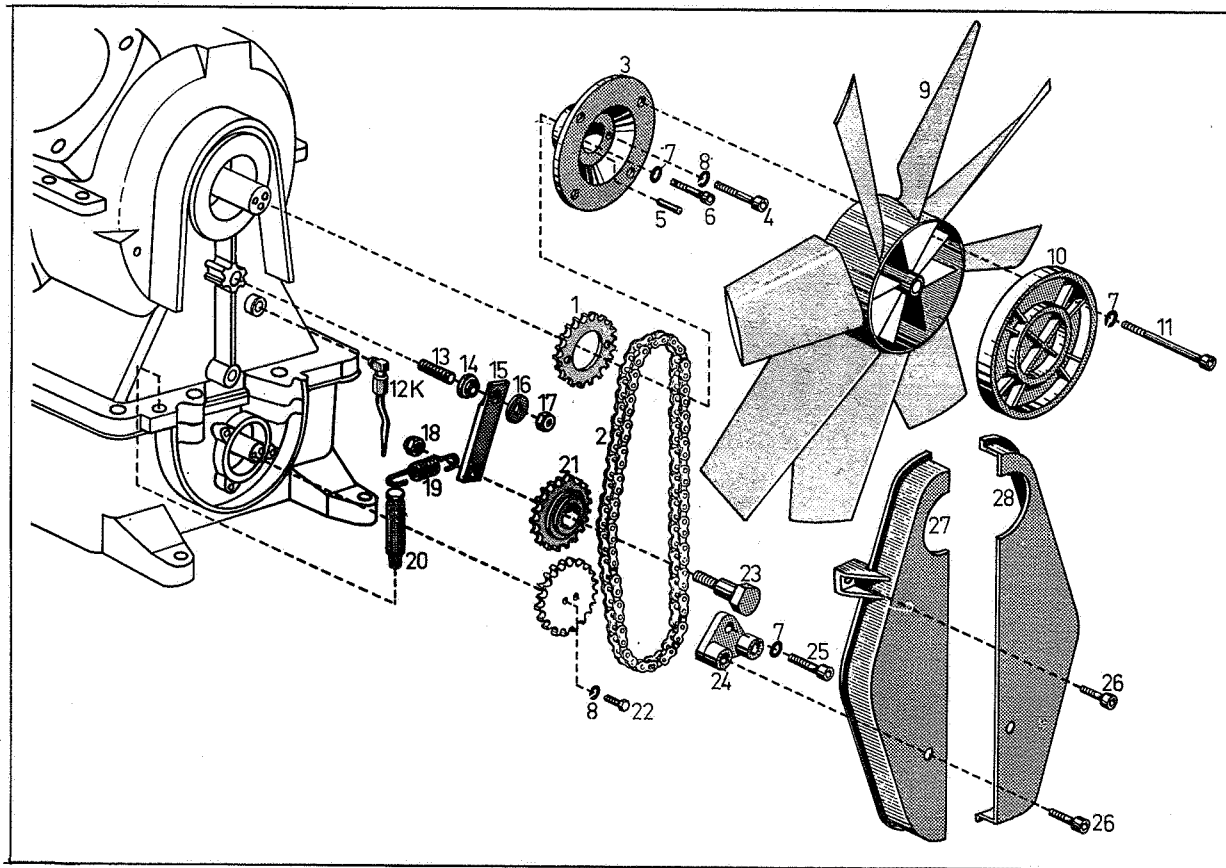


FIGURE H55

Chain tensioning device – fan wheel

		Part	Denomination for order		DIN-No.	Dimensions
			KB-No.	N-No.		
H55-26 H55-27 H55-28		Int. hex. screw Chain protection – left Chain protection – right	10327 10326	N 210	M6x20 DIN912-8,8	



FIGURE H56

Force feed lubrication

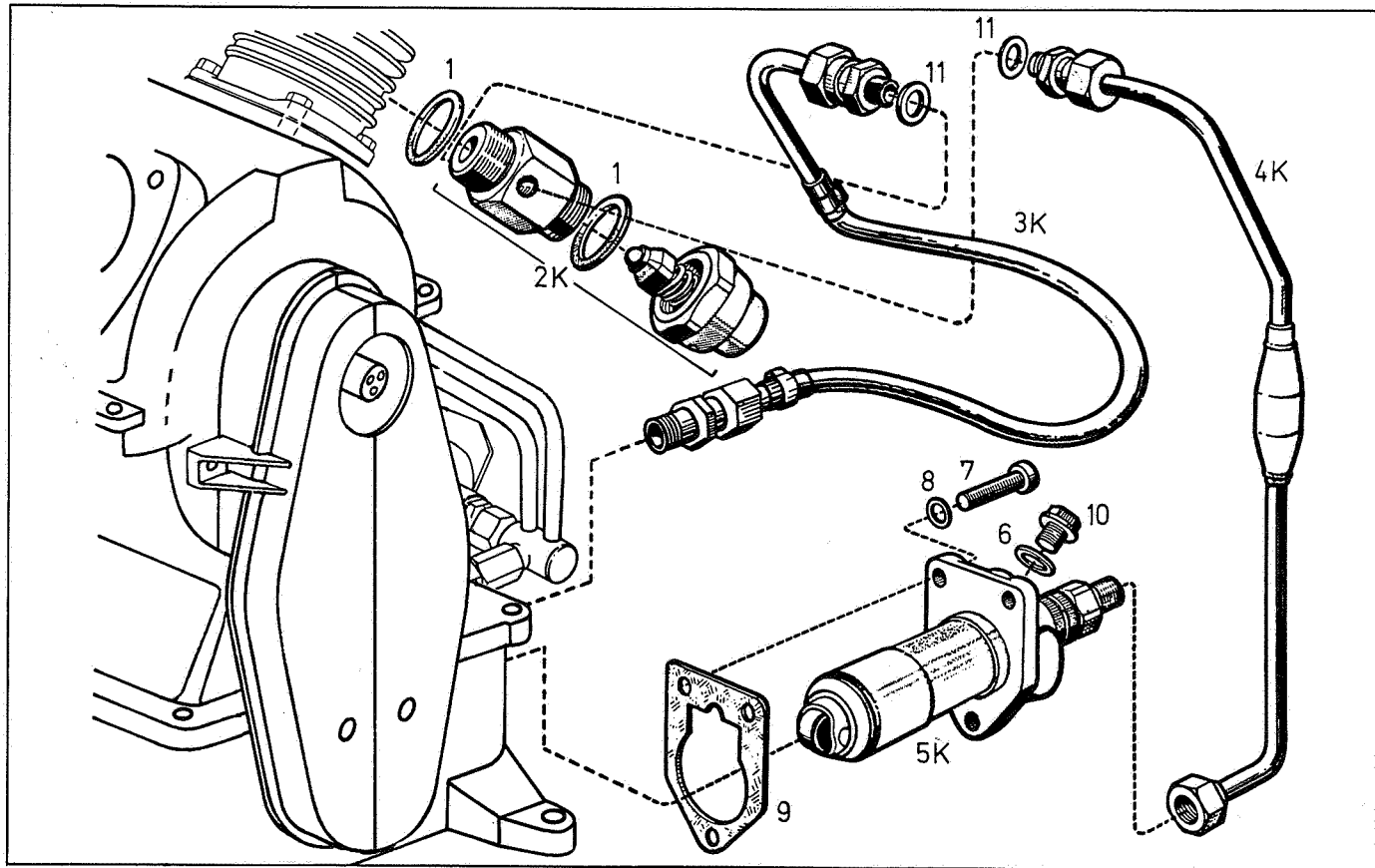


FIGURE H56

Force feed lubrication

	Part	Denomination for order		DIN-No.	Dimensions	
		KB-No.	N-No.			
H56-1	Gasket	2616	N 4	C28x33	DIN7603CuAs	
H56-2K	Oil pressure regulating valve					
H56-3K	Oil return pipe		N 2449K			∅6x1
H56-4K	Oil pressure pipe		N 1001K		∅6x1	
H56-5K	Oil pump		N 83K			
H56-6	Gasket		N 1059	A12x15,5	DIN7603Cu	
H56-7	Int. hex. screw		N 61	M8x25	DIN912-8,8	
H56-8	Disk		N 58	8,4	DIN125-St	
H56-9	Gasket	2010				
H56-10	Locking screw		N 1060		M12x1,5	DIN910
H56-11	Gasket		N 2		C10x15	DIN7603CuAs

0,7 thickness

FIGURE H57

Valve head 1st stage

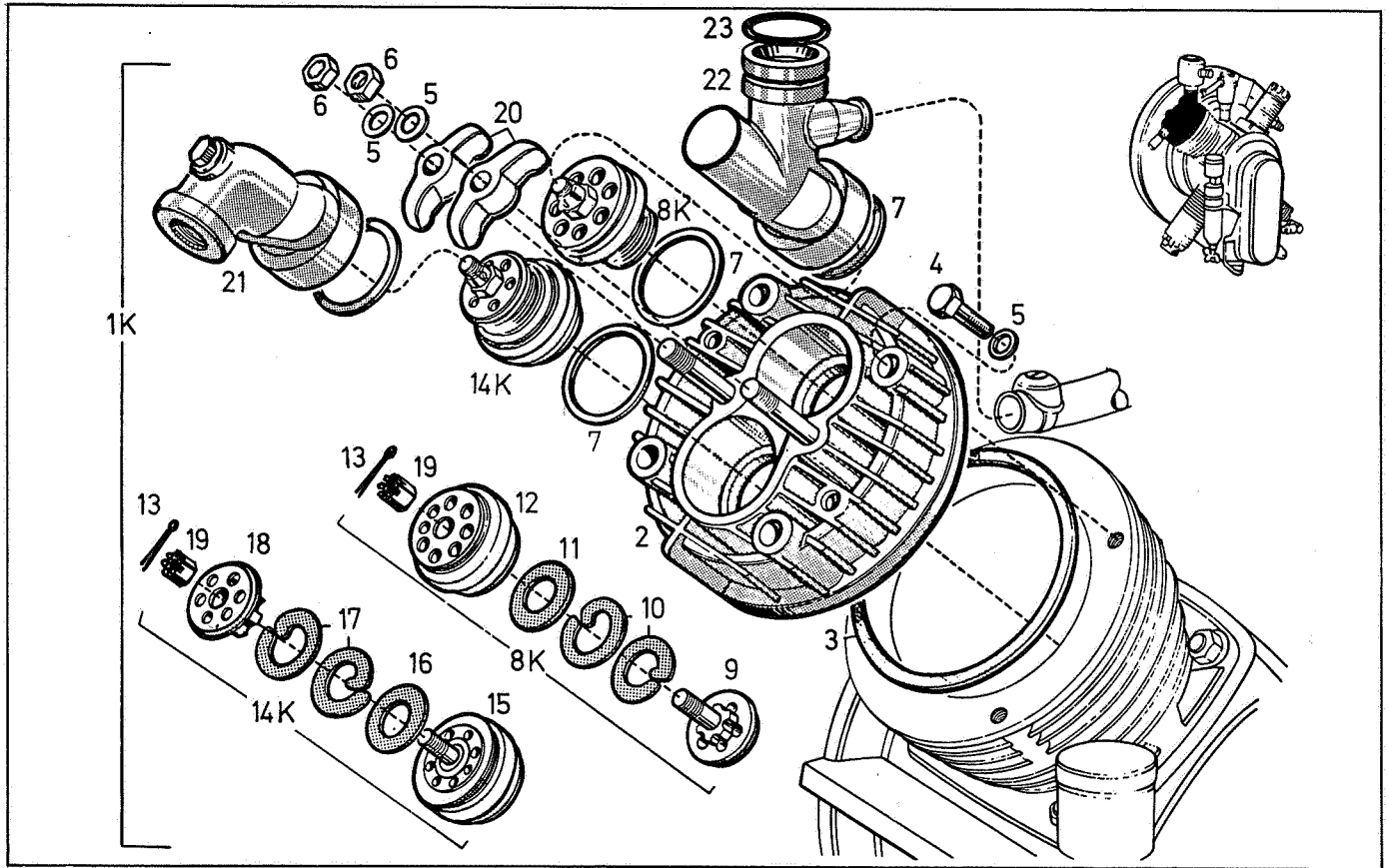


FIGURE H57

Valve head 1st stage

	Part	Denomination for order		DIN-No.	Dimensions
		KB-No.	N-No.		
H57-1K	Valve head 1st stage cpt.	16 bK			
H57-2	Valve head 1st stage	16 b			
H57-3	Gasket	4691			
H57-4	Hex. screw		N 350	M10x50	DIN931-8,8
H57-5	Disk		N 16	10,5	DIN125-St
H57-6	Hex. nut		N 177	M10	DIN934-8
H57-7	Gasket	7419			
H57-8K	Intake valve compl.		N 620K		
H57-9	Intake valve catcher		N 2467		
H57-10	Valve spring plate		N 2468		
H57-11	Valve plate		N 2469		
H57-12	Intake valve insert		N 2470		
H57-13	Splint		N 2056	1,5x20	DIN94-St
H57-14K	Delivery valve compl.		N 621K		
H57-15	Delivery valve seat				
H57-16	Valve plate		N 2469		
H57-17	Valve spring plate		N 2472		
H57-18	Delivery valve catcher		N 2473		
H57-19	Securing nut		N 2474	M6	DIN935-8
H57-20	Fixing yoke	702			
H57-21	Delivery elbow	700			
H57-22	Intake elbow	4390			
H57-23	O-ring		N 1539	OR 30,3-2,4	

FIGURE H58

Valve head 2nd, 3rd and 4th stage

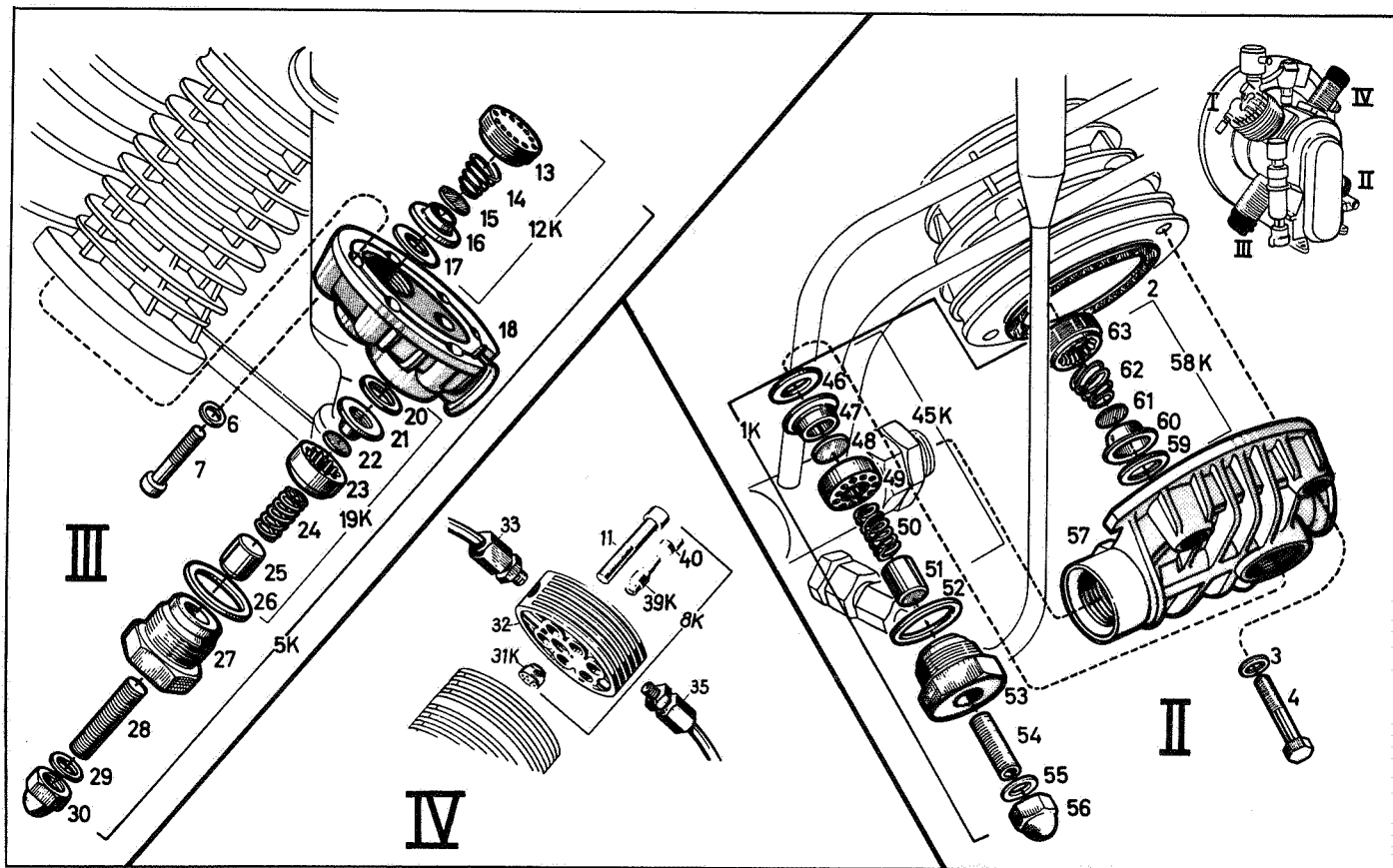


FIGURE H58

Valve head 2nd, 3rd and 4th stage

	Part	Denomination for order		DIN-No.	Dimensions
		KB-No.	N-No.		
H58-1K	Valve head compl. 2nd stage	411 cK			
H58-2	Gasket	4466			
H58-3	Disk		N 58	8,4	DIN125-St
H58-4	Hex. screw		N 1022	M8x40	DIN931-8,8
H58-5K	Valve head compl. 3rd stage	1512 hK			
H58-6	Disk		N 58	8,4	DIN125-St
H58-7	Intern. hex. screw		N 109	M8x30	DIN912-8,8
H58-8K	Valve head compl. 4th stage	6150 dK			
H58-11	Intern. hex. screw		N 1235	M8x65	DIN912-8,8
H58-12K	Intake valve compl.	HD 319K			
H58-13	Intake valve screwing	319			
H58-14	Pressure spring	279			
H58-15	Valve plate	232			
H58-16	Valve seat	1100			
H58-17	Gasket	240			
H58-18	Valve head	1512h			
H58-19K	Delivery valve compl.	HD 228K			
H58-20	Gasket	240			
H58-21	Valve seat	1100			
H58-22	Valve plate	232			
H58-23	Delivery valve insert	228			
H58-24	Pressure spring	1026			

FIGURE H58

Valve head 2nd, 3rd and 4th stage

	Part	Denomination for order		DIN-No.	Dimensions
		KB-No.	N-No.		
H58-25	Spring cap	234			
H58-26	Gasket		N 4	B28x34x2CuAs	
H58-27	Screwing socket	235			
H58-28	Stud		N 3	AM10x25	DIN913-10K
H58-29	Gasket		N 2	C10x15	DIN7603CuAs
H58-30	Cap nut		N 1	M10	DIN1587-5S
H58-31 K	Intake valve	7790K			
H58-32	Valve head	6150d			
H58-33	Straight screwing		N 2466	GE8-SR	R1/4 conic
H58-35	Straight screwing		N 902	GE6-SR	R1/4 conic
H58-39 K	Delivery valve	7780K			
H58-40	Locking screw	7779			
H58-45 K	Delivery valve compl.	ND 228K			
H58-46	Gasket	240			
H58-47	Valve seat	233			
H58-48	Valve plate	232			
H58-49	Delivery valve insert	228			
H58-50	Pressure spring	1026			
H58-51	Spring cap	234			
H58-52	Gasket		N 4	B28x34x2	
H58-53	Screwing socket	235			
H58-54	Stud		N 3	AM10x25	DIN913 10K
H58-55	Gasket		N 2	D10x15	DIN7603CuAs
H58-56	Cap nut		N 1	M10	DIN1587-5S
H58-57	Valve head	411c			

FIGURE H58

Valve head 2nd, 3rd and 4th stage

	Part	Denomination for order		DIN-No.	Dimensions
		KB-No.	N-No.		
H58-58K	Intake valve compl.	ND 319K			
H58-59	Gasket	240			
H58-60	Valve seat	233			
H58-61	Valve plate	232			
H58-62	Pressure spring	279			
H58-63	Intake valve screwing	319			

FIGURE H59

Cooling

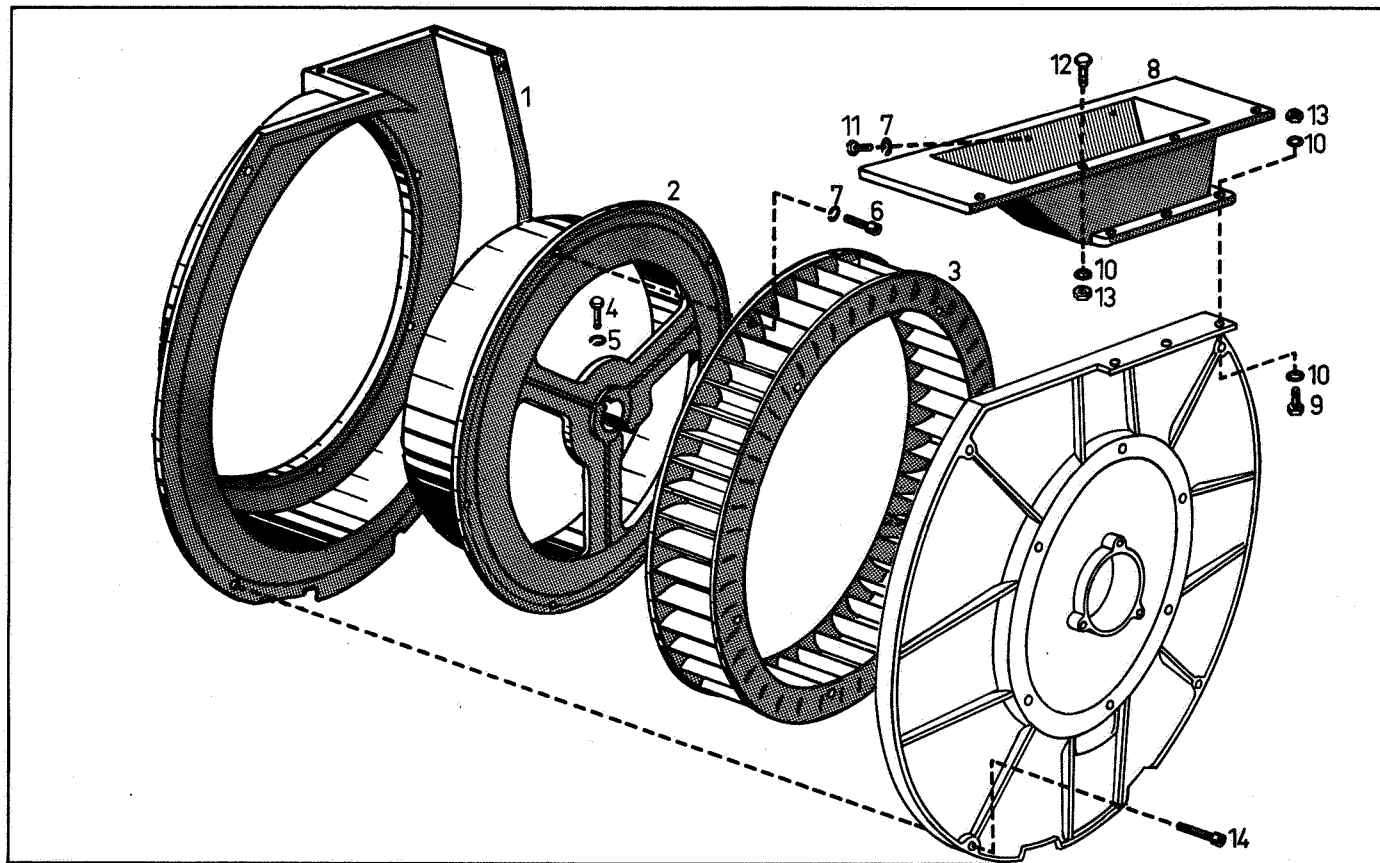


FIGURE H59

Cooling

	Part	Denomination for order		DIN-No.	Dimensions
		KB-No.	N-No.		
H59-1	Spiral flange housing	5099			
H59-2	Fly wheel	5569			
H59-3	Cooling blower ring	7134			
H59-4	Hex. screw		N 175	M10x70	DIN931-8,8
H59-5	Spring ring		N 176	A10	DIN127
H59-6	Intern. hex. screw		N 158	M6x15	DIN912-8,8
H59-7	Spring ring		N 100	A6	DIN127
H59-8	Intermediate piece	5114			
H59-9	Hex. screw		N 374	M6x30	DIN931-8,8
H59-10	Disk		N 102	6,4	DIN125-St
H59-11	Hex. screw		N 1553	M6x12	DIN933-8,8
H59-12	Hex. screw		N 101	M6x20	DIN933-8,8
H59-13	Hex. nut self-sec.		N 1042	M6	DIN985-5
H59-14	Intern. hex. screw		N 1535	M8x25	DIN912-8,8

FIGURE H60

Inter cooler.

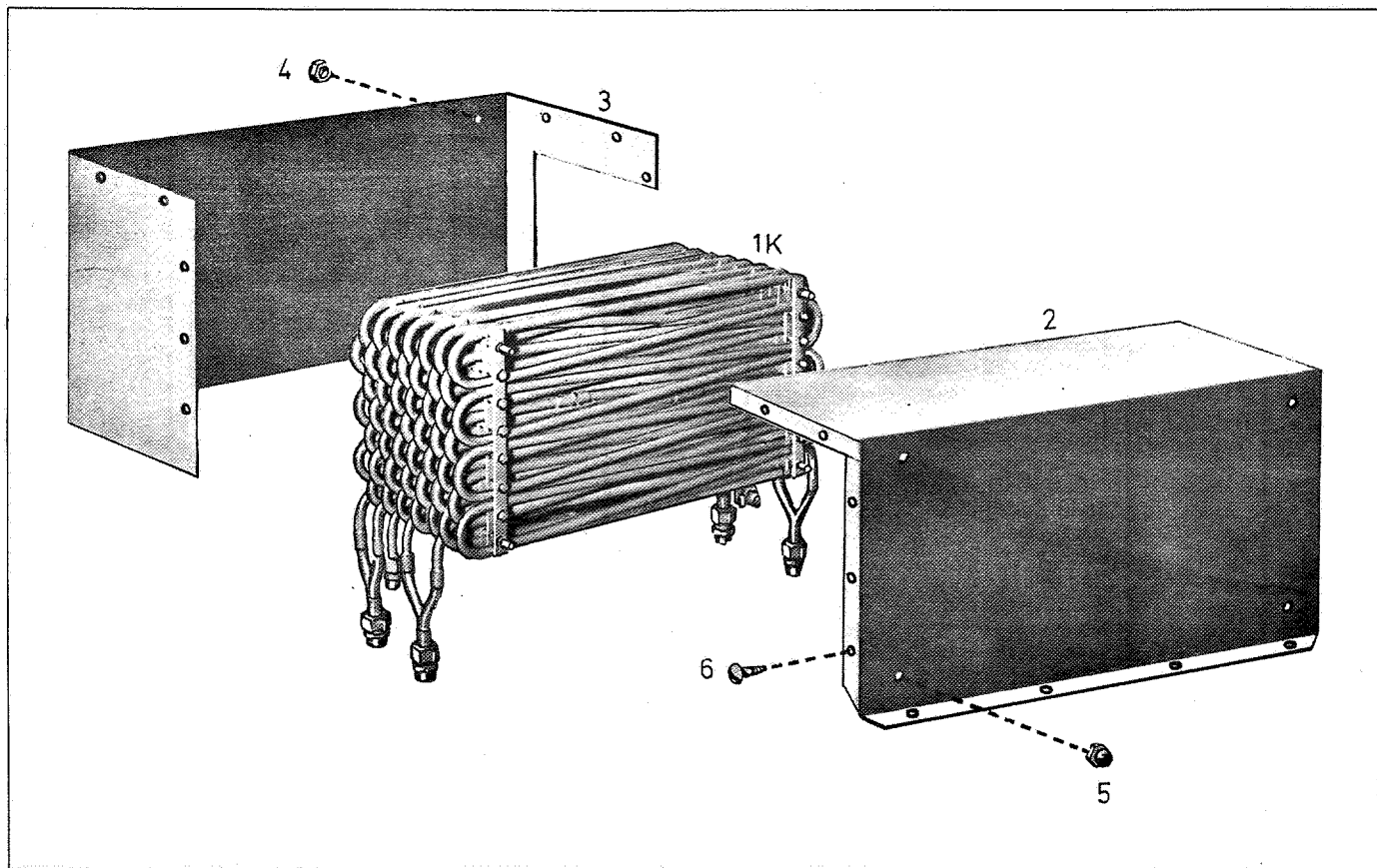


FIGURE H60

Inter cooler

		Part	Denomination for order		DIN-No.	Dimensions
			KB-No.	N-No.		
H60-1K		Inter cooler	8756K			
H60-2		Housing	8760/Pos. 2			
H60-3		Housing	8760/Pos. 1			
H60-4		Hex. nut self-sec.		N 1042	M6	DIN985-5
H60-5		Cap nut		N 2450	M6	DIN1587
H60-6		Sheet screw — half round		N 2451	A4,3x9,5	DIN7974

FIGURE H61

Inter filter 2nd and 3rd stage — safety valve

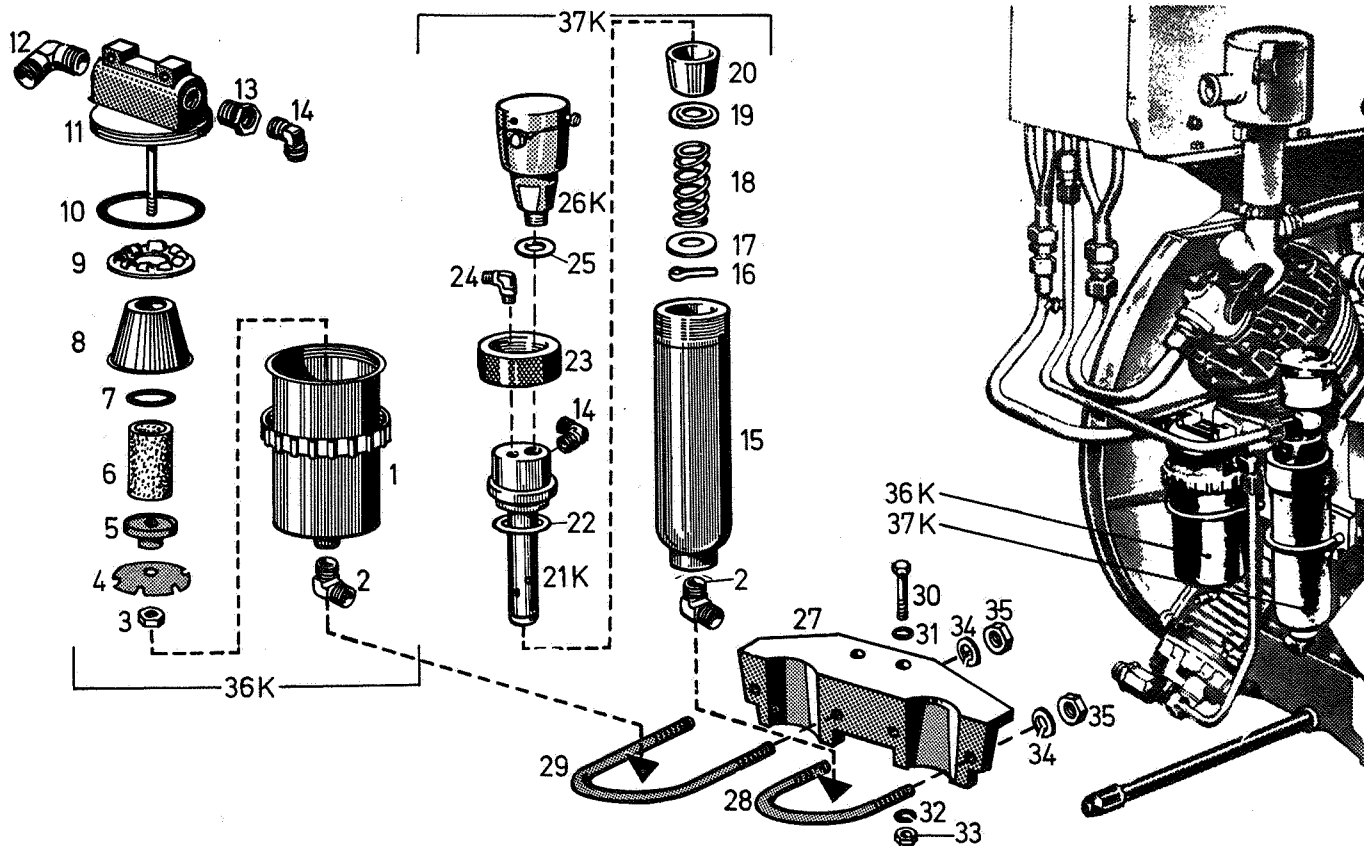


FIGURE H61

Inter Filter 2nd and 3rd stage — safety valve

	Part	Denomination for order		DIN-No.	Dimensions
		KB-No.	N-No.		
H61-1	Coat		N 2477		
H61-2	Angle-screwing		N 1057	WE6-LR	R1/8"
H61-3	Nut		N 2478	SW 11x7	
H61-4	Baffle disk		N 2479		
H61-5	Plate		N 2480		
H61-6	Filter insert		N 2481		
H61-7	Gasket		N 2482		
H61-8	Baffle cone		N 2483		
H61-9	Distributing sheet		N 2484		
H61-10	O-ring		N 2485		
H61-11	Housing		N 2486		
H61-12	Angle screwing		N 1856	WE15-LR	R1/2"
H61-13	Reduction nipple		N 2487		
H61-14	Angle screwing		N 1065	WE10-LR	R1/4"
H61-15	Filter housing	2599			
H61-16	Splint		N 72	5x40	DIN94-St
H61-17	Disk		N 68	19Ø	DIN125-St
H61-18	Pressure spring	2104			
H61-19	Disk	3630			
H61-20	Filter element	2706			
H61-21K	Filter head with tubular piece compl.	2669K			
H61-22	O-ring		N 62	OR32-4	
H61-23	Cap nut	2597			
H61-24	Angle screwing		N 1536	WE8-LR	R1/4"
H61-25	Gasket	4479			

FIGURE H61

Inter filter 2nd and 3rd stage — safety valve

	Part	Denommination for order		DIN-No.	Dimensions
		KB-No.	N-No.		
H61-26K	Safety valve compl. 3rd stage	3063K			
H61-27	Filter support	10321			
H61-28	Fixing yoke	7999			
H61-29	Fixing yoke	7870			
H61-30	Hex. screw		N 467	M8x30	DIN931-8,8
H61-31	Disk		N 58	8,4Ø	DIN125-St
H61-32	Spring ring		N 108	A8	DIN127
H61-33	Hex. nut		N 57	M8	DIN934-8
H61-34	Spring ring		N 108	A8	DIN127
H61-35	Hex. nut		N 57	M8	DIN934-8
H61-36K	Compressed air filter 2nd stage		N 2055K		
H61-37K	Inter filter 3rd stage	2681K			

FIGURE H62

Intake filter – safety valves 1st and 2nd stage

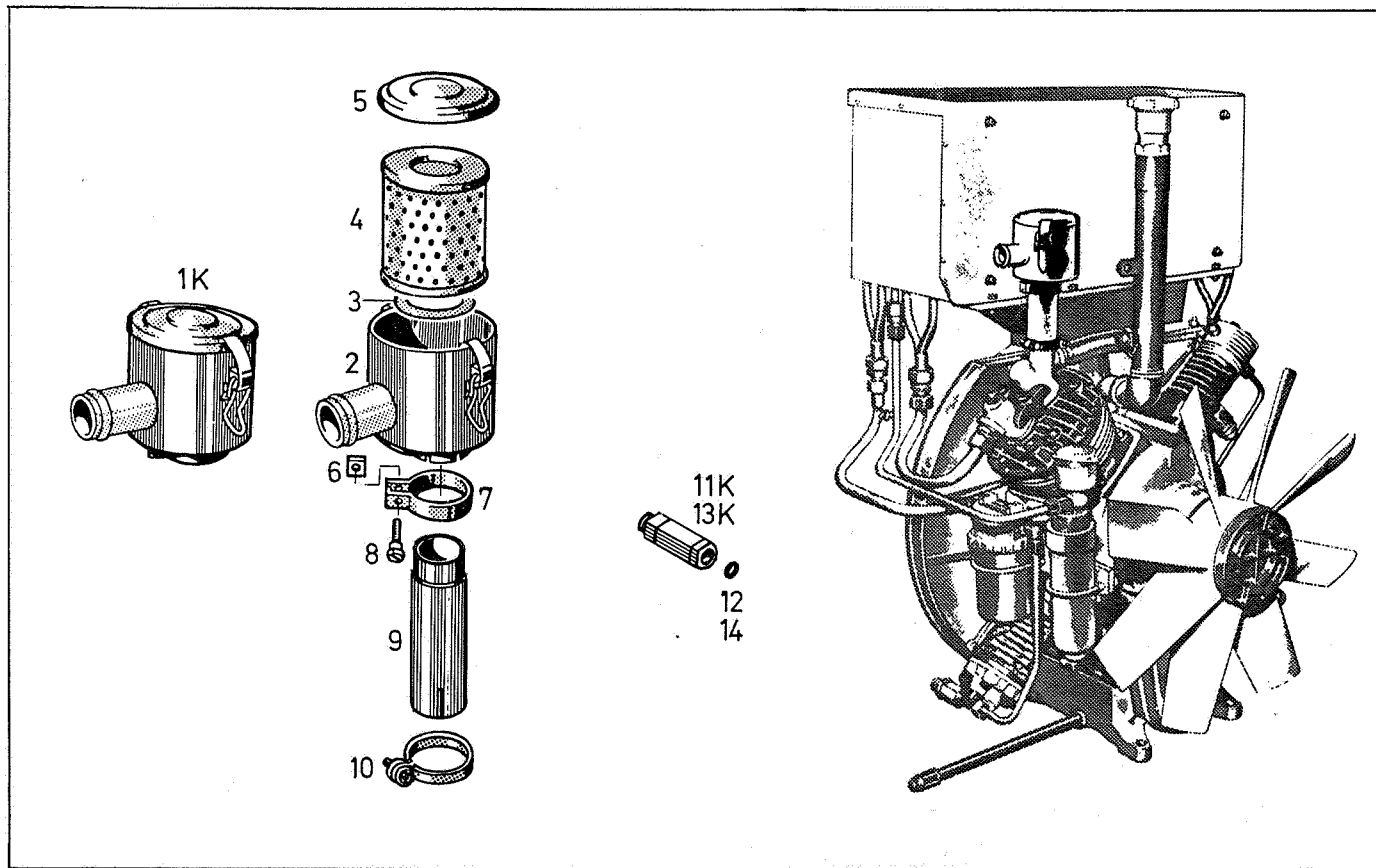


FIGURE H62

Intake filter – safety valves 1st and 2nd stage

	Part	Denomination for order		DIN-No.	Dimensions
		KB-No.	N-No.		
H62-1K	Intake filter		N 71K	M6 M6x20	100x140x2
H62-2	Filter housing		N 71		
H62-3	Gasket		N 1067		
H62-4	Filter insert		N 70		
H62-5	Cover		N 1043		
H62-6	Square nut		N 1044		
H62-7	Tensioning yoke		N 1045		
H62-8	Hex. nut with slot		N 1046		
H62-9	Support	8066			
H62-10	Hose clamp		N 2011		
H62-11K	Safety valve 1st stage	10255K			
H62-12	Gasket	8263			
H62-13K	Safety valve 2nd stage	10254K			
H62-14	Gasket	8263			

FIGURE H63

Clutch

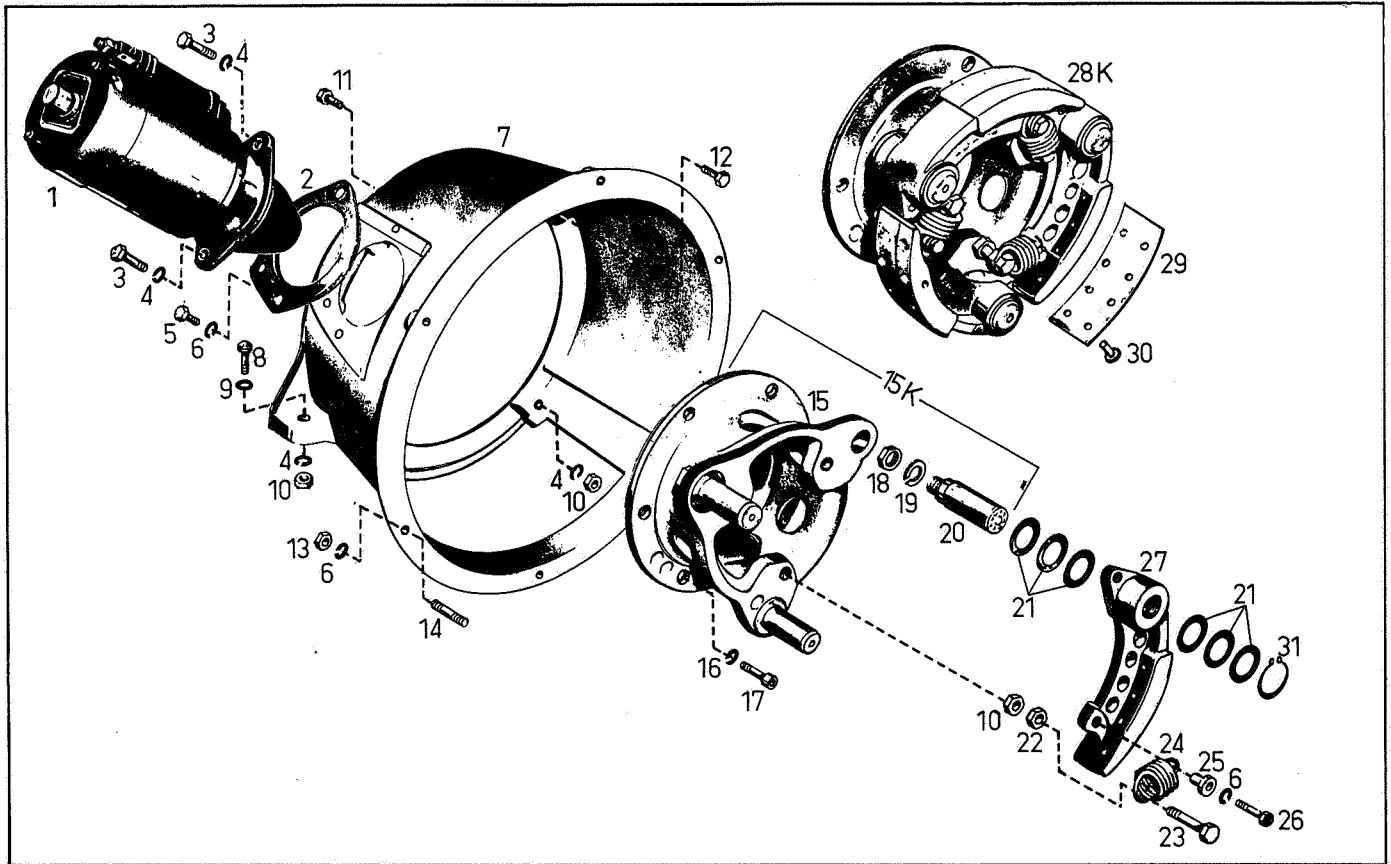


FIGURE H63

Clutch

	Part	Denommination for order		DIN-No.	Dimensions
		KB-No.	N-No.		
H63-1	Starter		N 534	VW	
H63-2	Adjusting plate		N 885		
H63-3	Hex. screw		N 1404	M10x30	DIN933-8,8
H63-4	Spring ring		N 176	A10	DIN127
H63-5	Hex. screw		N 198	M8x20	DIN933-8,8
H63-6	Spring ring		N 108	A8	DIN127
H63-7	Flange housing	4822			
H63-8	Hex. screw		N 645	M12x50	DIN931-8,8
H63-9	Disk		N 16	10,5	DIN125-St
H63-10	Hex. nut		N 177	M10	DIN934-8
H63-11	Hex. screw		N 357	M10x35	DIN931-8,8
H63-12	Hex. screw		N 175	M10x70	DIN931-8,8
H63-13	Hex. nut		N 57	M8	DIN934-8
H63-14	Stud		N 87	M8x40	DIN835-8G
H63-15K	Clutch flange with pin	11473K			
H63-15	Clutch flange	4863			
H63-16	Spring ring		N 654	A8	DIN7980
H63-17	Intern. hex. screw		N 779	M8x20	DIN6912
H63-18	Hex. nut		N 778	M18	DIN936-8
H63-19	Spring ring		N 397	A18	DIN127
H63-20	Clutch pin	4857			
H63-21	Disk	5576			
H63-22	Hex. nut self-sec.		N 644	M10	DIN985-5
H63-23	Hex. screw		N 350	M10x50	DIN931-8,8

400x250x1

FIGURE H63

Clutch

		Part	Denomination for order		DIN-No.	Dimensions
			KB-No.	N-No.		
H63-24		Tension spring	1610			
H63-25		Bush	5258			
H63-26		Hex. screw		N 89	M8x30	DIN933-8,8
H63-27		Driving jaw	5497			
H63-28K		Clutch flange compl. with pin and driving jaw	11474K			
H63-29		Friction lining	1612			
H63-30		Hollow rivet		N 405	B5x30	DIN7338
H63-31		Circlip		N 423	A25x1,2	DIN471

FIGURE H64

Frame — Fan protection — Aftercooler

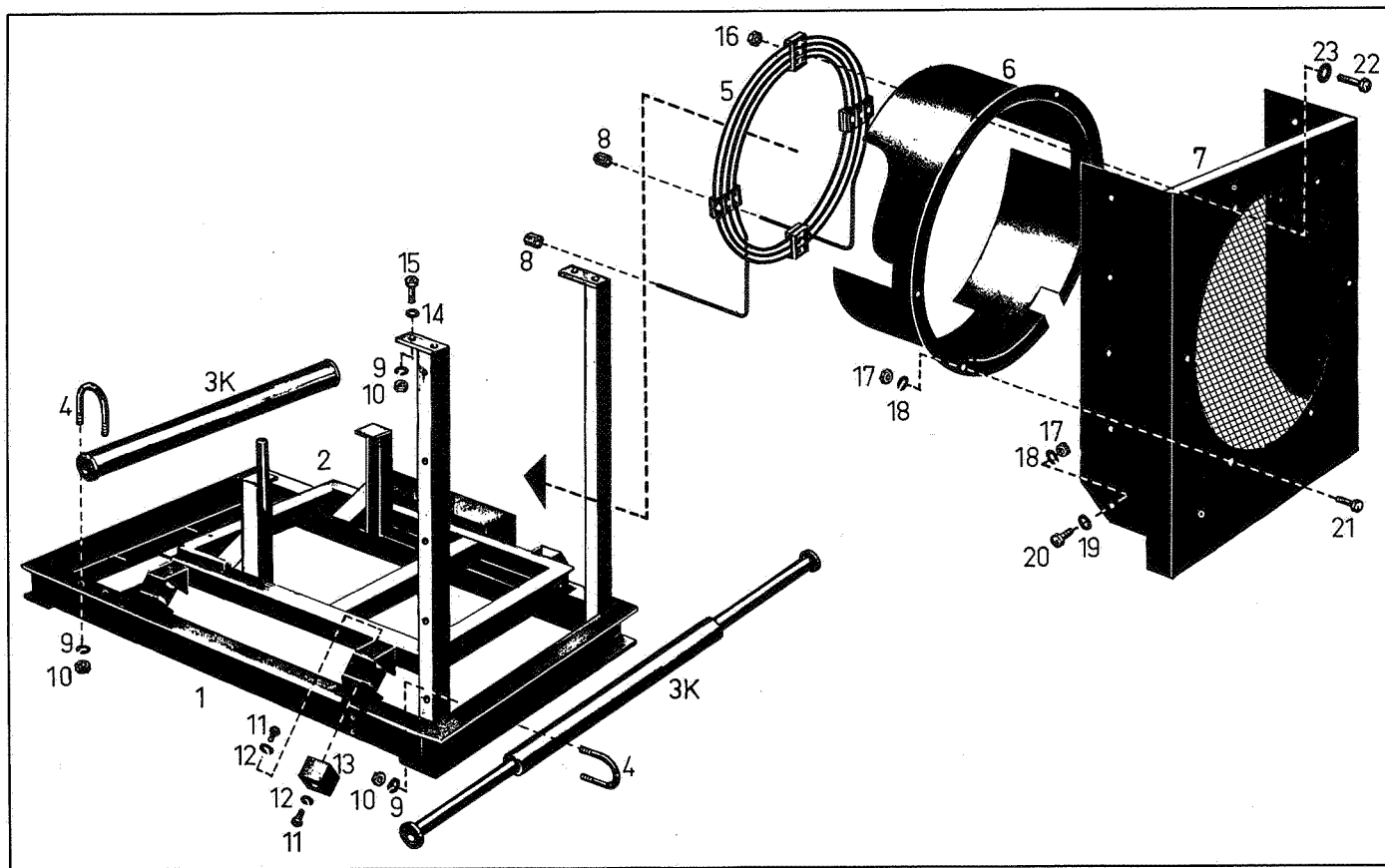


FIGURE H64

Frame — Fan protection — Aftercooler

	Part	Denomination for order		DIN-No.	Dimensions
		KB-No.	N-No.		
H64-1	Base frame	10296			
H64-2	Vibration damping frame	10307			
H64-3K	Handle compl.	5210K			
H64-4	Fixing bolt	5825			
H64-5	Aftercooler	10406			
H64-6	Air guidance shaft	11458			
H64-7	Fan protection	9195			
H64-8	Straight screwing		N 1061	GE6-SR	R1/4"
H64-9	Spring ring		N 108	A8	DIN127
H64-10	Hex. nut		N 289	M8	DIN934-8
H64-11	Hex. screw		N 711	M10x20	DIN933-8,8
H64-12	Spring ring		N 176	A10	DIN127
H64-13	Vibration damper	9021			
H64-14	Disk		N 58	8,4	DIN125-St
H64-15	Hex. screw		N 89	M8x30	DIN933-8
H64-16	Hex. nut self-sec.		N 1042	M6	DIN985-5
H64-17	Hex. nut		N 287	M6	DIN934-8
H64-18	Spring ring		N 100	A6	DIN127
H64-19	Disk		N 102	6,4	DIN125-St
H64-20	Hex. screw		N 53	M6x15	DIN933-8,8
H64-21	Hex. screw		N 1553	M6x12	DIN933-8,8
H64-22	Hex. screw		N 680	M6x35	DIN933-8,8
H64-23	Disk		N 2463		
N.I.	Battery hook	10396			
N.I.	Supporting angle	10395			

290x6,40x1,5

FIGURE H65

Instrument panel

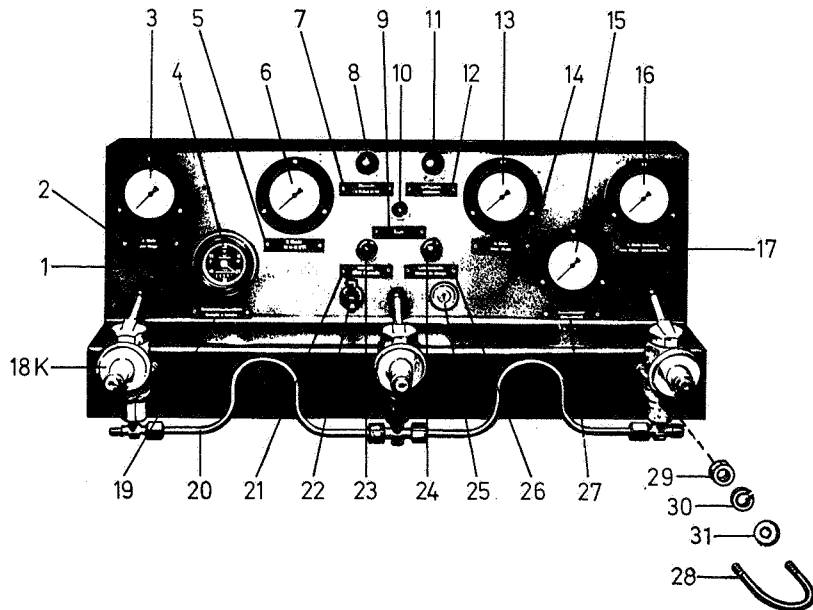


FIGURE H65

Instrument panel

	Part	Denomination for order		DIN-No.	Dimensions
		KB-No.	N-No.		
H65-1	Instrument panel	10372			
H65-2	Indication plate 1st stage	10376			
H65-3	Gauge 1st stage		N 1269		0-16 atms R1/4"
H65-4	Hourmeter		N 751		6 Volts
H65-5	Indication plate 2nd stage	10377			
H65-6	Gauge 2nd stage		N 1270		0-25 atms R1/4"
H65-7	Indication plate air trap	10381			
H65-8	Cord pull start (gas)		N 662		
H65-9	Indication plate - Stop	10385			
H65-10	Stop button		N 665		
H65-11	Cord pull start (choque)		N 662		
H65-12	Indication plate Idle running	10382			
H65-13	Gauge 3rd stage		N 1271		0-100 atms R1/4"
H65-14	Indication plate 3rd stage	10378			
H65-15	Gauge - oil pressure		N 1273		0-160 atms R1/4"
H65-16	Gauge - 4th stage final pressure		N 1012		0-315 atms R1/4"
H65-17	Indication plate 4th stage - final pressure	10379			

FIGURE H65

Instrument panel

	Part	Denomination for order		DIN-No.	Dimensions
		KB-No.	N-No.		
H65-18K	Filling valve compl.	6818K			
H65-19	Indication plate hourmeter	10386			
H65-20	Connecting pipe		N 2475		
H65-21	Indication plate oil pressure	10384			
H65-22	Socket with cover		N 2476		
H65-23	Oil pressure alarm light		N 1151		
H65-24	Charging control light		N 580		
H65-25	Ignition lock		N 540		
H65-26	Indication plate – charging control light	10383			
H65-27	Indication plate – oil pressure gauge	10380			
H65-28	Fixing yoke	6942			
H65-29	Hex, nut		N 57	M8	DIN934-8
H65-30	Spring ring		N 108	A8	DIN127
H65-31	Disk		N 2460	8,4	DIN9021-St

FIGURE H66

Bracket — Filter — Condensate drain — Non-return valve

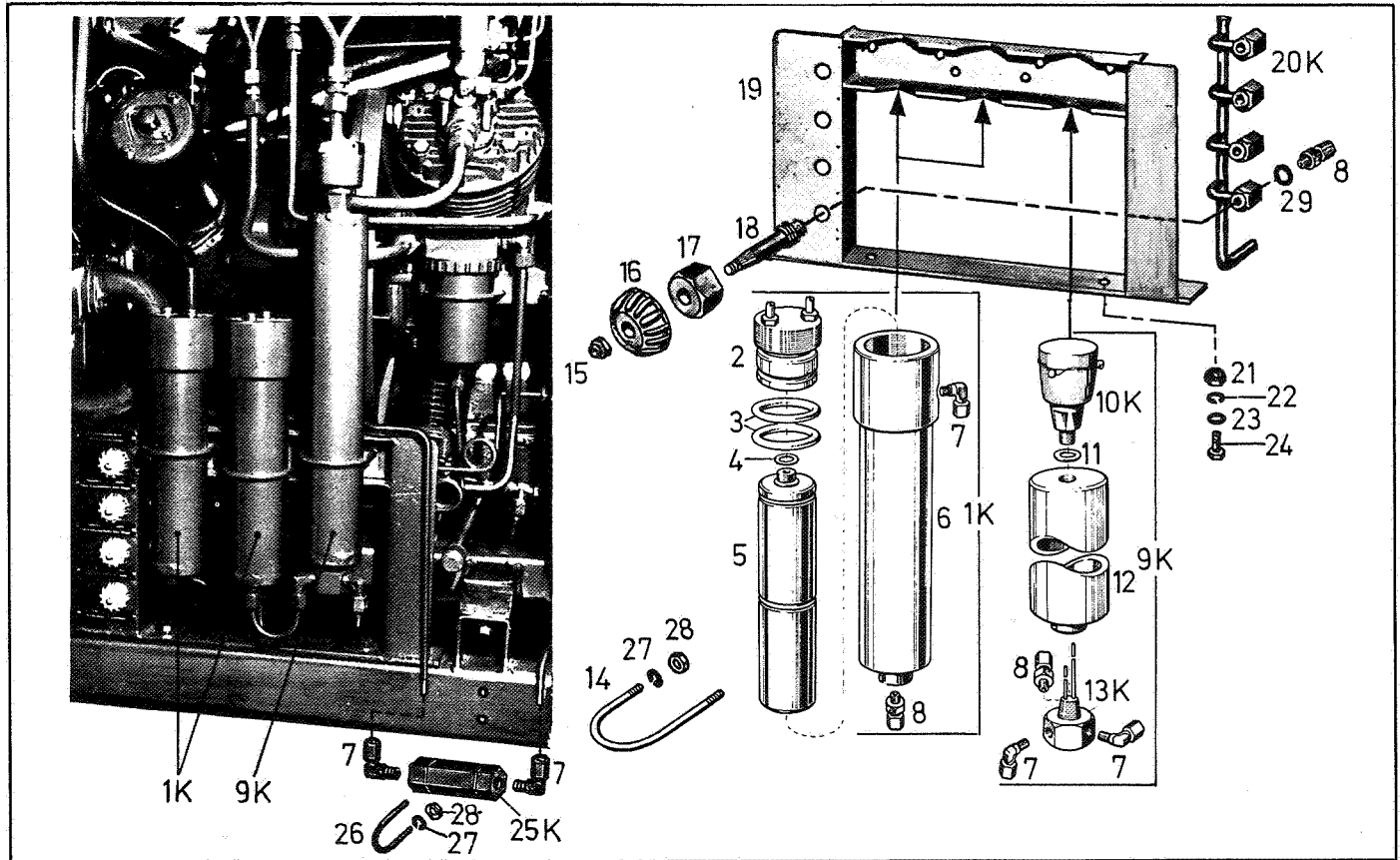


FIGURE H66

Bracket – Filter – Condensate drain – Non-return valve

	Part	Denomination for order		DIN-No.	Dimensions
		KB-No.	N-No.		
H66-1K	Purifier compl.	3622K			
H66-2K	Screwing compl.	4119K			
H66-3	O-ring		N 630	OR40-64-5-33-37	i,Ø40,64
H66-4	O-ring		N 631	OR10-77-2-62-37	i,Ø10,77
H66-5	Filter cartridge		N 632		
H66-6	Filter housing	3608			
H66-7	Angle screwing		N 1048	WE6-SR R1/4"	
H66-8	Straight screwing		N 902	GE6-SR R1/4"	
H66-9K	Oil and water separator compl.	4990K			
H66-10K	Safety valve compl. final pressure	3063K			
H66-11	Gasket		N 1446	A17x21Cu DIN7603	
H66-12	Separator-housing	4990			
H66-13K	Distributing piece compl.	1979K			
H66-14	Fixing yoke	7983			
H66-15	Nut, self-securing		N 2488	M5 DIN985-8	
H66-16	Hand wheel		N 1865		
H66-17	Cap nut	10147			
H66-18	Spindle		N 1864		
H66-19	Filter support	9495			
H66-20K	Condensate drain tube compl.	10344K			
H66-21	Hex. nut		N 177	M10 DIN934-8	
H66-22	Spring ring		N 176	A10 DIN127	
H66-23	Disk		N 16	10,5 DIN125-St	
H66-24	Hex. screw		N 1404	M10x30 DIN933-8,8	

FIGURE H66

Bracket – Filter – Condensate drain – Non-return valve

		Part	Denomination for order		DIN-No.	Dimensions	
			KB-No.	N-No.			
H66-25K		Non-return valve compl.	6942	N 1463K			
H66-26		Fixing yoke					
H66-27		Spring ring			N 108	A8	DIN127
H66-28		Hex. nut			N 57	M8	DIN934-8
H66-29		Gasket			N 1447	A14x18 Cu	DIN7603



FIGURE H67

Tools box — Safety valve

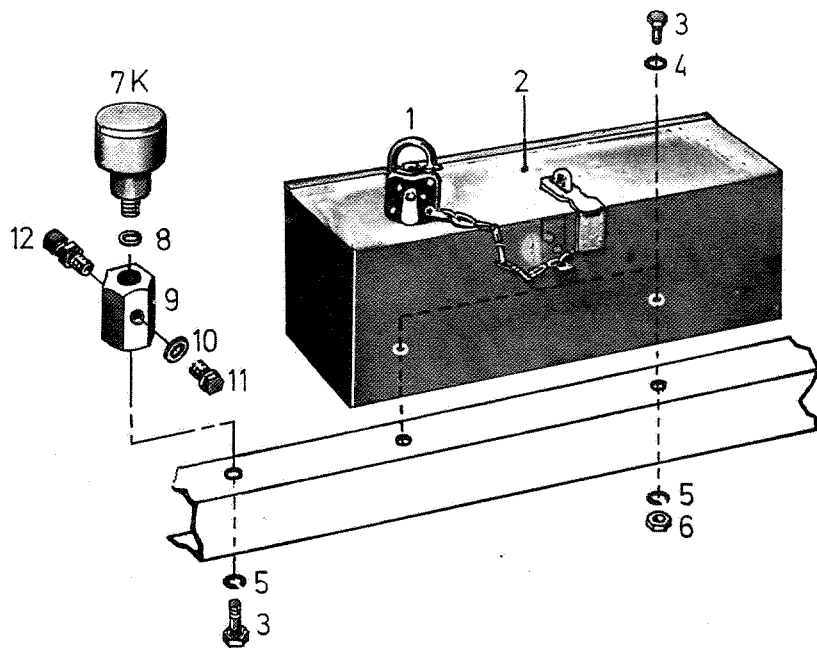
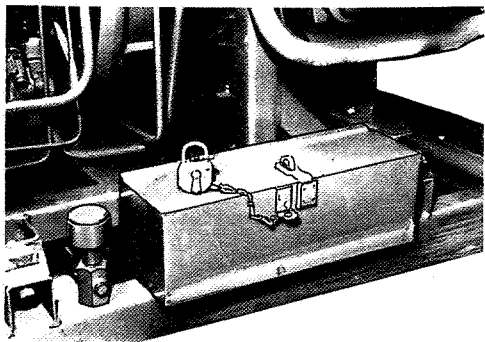


FIGURE H67

Tools box — Safety valve

	Part	Denomination for order		DIN-No.	Dimensions
		KB-No.	N-No.		
H67-1	Padlock	10353	N 547	DIN 7465 C40	
H67-2	Tools box				
H67-3	Hex. screw	3063K	N 198	M8x20	DIN933-8,8
H67-4	Disk		N 58	8,4	DIN125-St
H67-5	Spring ring		N 108	A8	DIN127
H67-6	Hex. nut		N 289	M8	DIN934-8
H67-7K	Safety valve compl. final pressure	3063K			
H67-8	Gasket	6467	N 2489	A8x13Vf	DIN7603
H67-9	Hex. piece				
H67-10	Gasket		N 1447	A14x18 Cu	DIN7603
H67-11	Locking screw		N 52	R1/4"	DIN910
H67-12	Straight screwing		N 902	GE6-SR	R1/4"



